



Outperform every day.™

Project:
Item Number:
Quantity:

Conveyor Bagel or Bun Toasters - 1,400 Slices Per Hour*

The Vollrath Company, L.L.C.

CONVEYOR BAGEL OR BUN TOASTERS - 1,400 SLICES PER HOUR* (MODEL JT3BH)



DESCRIPTION

Vollrath's Conveyor 1,400 Slice Per Hour Bagel or Bun Toasters provide flexibility to change from a one-sided toast mode to a two-sided bagel/bun mode with the flip of a switch. Top and bottom heat control, and variable speed control dial in perfect browning. Ideal for medium-large volume restaurants that need flexibility to toast a variety of products from slices of bread to extra large bagels, to buns and English muffins.

WARRANTY

- Warrantied parts: The warranty period is 2 year parts, 1 year labor.
- Heater tubes: The warranty period is 1 year parts and labor. Heater tube glass damage is not covered by this warranty.
- For full warranty details, please refer to www.vollrath.com.

AGENCY LISTINGS



* Slices per hour is based on maximum conveyor speed. Conveyor speed determines toasting time and affects color and texture of the toast. Results may vary based upon type of bread, color and texture preference.

Due to continued product improvement, please consult www.vollrath.com for current product specifications.

ITEMS

Item No.	Model No.	Description
CT4BH-2081400		1,400 Slices Per Hour*, 208V, High Clearance
CT4BH-2201400**	JT3BH	1,400 Slices Per Hour*, 220V, High Clearance
CT4BH-2401400		1,400 Slices Per Hour*, 240V, High Clearance

**Made to order item. Made to order items cannot be canceled or returned.

FEATURES

- Stainless steel and aluminized steel construction.
- Variable speed control allows for real-time adjustments.
- Top and Top-Bottom heat switch to quickly change between one-sided and two-sided toasting.
- 14½" (36.8 cm) 3-slice wide conveyor is larger than industry standard for better toasting results.
- Product entry opening on high clearance models can be adjusted from 1½" - 3" (3.8 - 7.6 cm).
- Forced convection toasting promotes uniform results and energy efficiency.
- Energy efficient, fast reacting, quartz heaters.
- High-temperature bearings ensure smooth operation and do not require lubrication.
- High-quality, insulated wires help prevent against dry rotting and cracking.
- High-temperature thermoplastic terminal blocks with stainless steel clamping provides superior connections; designed for ease of serviceability.
- Maintenance-free drive system; stainless steel drive chain does not require lubrication.
- Standby mode saves up to 75 percent energy during slow periods when unit is not in use and allows machine to quickly return to full power.
- Fan control switch senses temperature of unit and keeps fan running until unit is completely cool.
- Adjustable legs.
- 4½ ft. (1.4 m) cord with plug.
- Made in the USA.

CLEARANCE AND ENVIRONMENT REQUIREMENTS

- Do not place on surfaces or near walls, partitions or kitchen furniture unless they are made of non-combustible material or clad with non-combustible heat-insulating material. Toasters must not be used near or below curtains and other combustible materials.
- Maximum ambient temperature: 104° F (40° C).

Approvals	Date



Outperform every day.™

www.vollrath.com

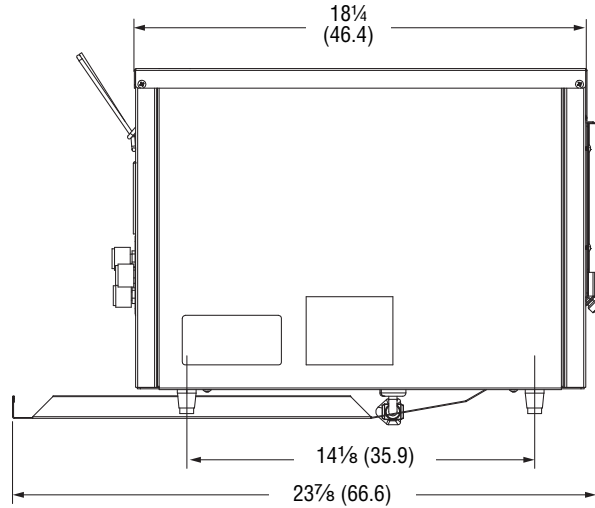
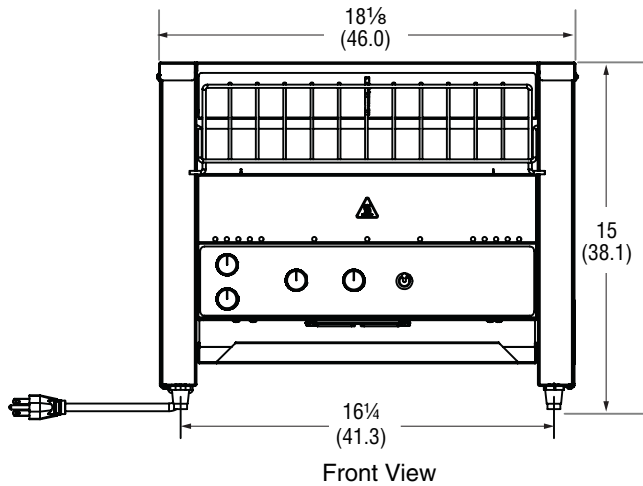
The Vollrath Company, L.L.C.

1236 North 18th Street
Sheboygan, WI 53081-3201 U.S.A.
Main Tel: 800.624.2051 or 920.457.4851
Main Fax: 800.752.5620 or 920.459.6573
Customer Service: 800.628.0830
Canada Customer Service: 800.695.8560

Technical Services
techservicereps@vollrathco.com
Toasters: 1-800-309-2250
All Other Products: 800.628.0832

CONVEYOR BAGEL OR BUN TOASTERS - 1,400 SLICES PER HOUR* (MODEL JT3BH)

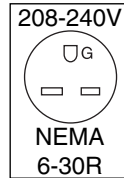
DIMENSIONS (Shown in inches (cm))



SPECIFICATIONS

Item No.	Model No.	Slices, Bagel or Bun Halves Per Hour (Up To)**	Product Opening In (CM)	Voltage	Watts	Amps	Hz	Weight Lb (Kg)	Plug
CT4BH-2081400	JT3BH	1,400	Adjustable 1 1/2 - 3 (3.8 - 7.6)	208	3600	17.3	60	70 (31.8)	NEMA 6-30P
CT4BH-2201400**				220		16.4			
CT4BH-2401400				240		15			

Receptacle



* Slices per hour is based on maximum conveyor speed. Conveyor speed determines toasting time and affects color and texture of the toast. Results may vary based upon type of bread, color and texture preference.

** Made to order item. Made to order items cannot be canceled or returned.



Outperform every day.™

www.vollrath.com

The Vollrath Company, L.L.C.
 1236 North 18th Street
 Sheboygan, WI 53081-3201 U.S.A.
 Main Tel: 800.624.2051 or 920.457.4851
 Main Fax: 800.752.5620 or 920.459.6573
 Customer Service: 800.628.0830
 Canada Customer Service: 800.695.8560

Technical Services
techservicereps@vollrathco.com
 Toasters: 1.800.309.2250
 All Other Products: 1.800.628.0832