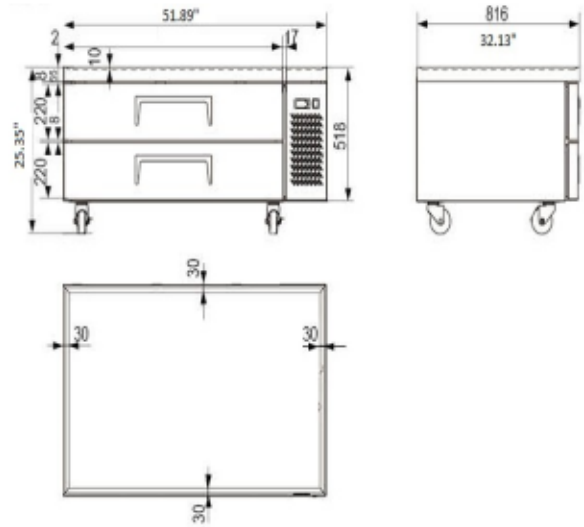


Model:
CBI-52

Chef Base Refrigerator

 Cooler



5-15P



Drawers	GN Pans	Refrigerant	HP	Power	Amps.	Cu.ft.	Weight(lbs.)
2	6x1/1	R290	1/4+	115/60/1	7.4	34	250

FEATURES

Stainless steel interior and exterior retains attractive finish longer. Matching aluminum finished back.

Rounded corner design inside of the cabinet makes it easy to clean it.

Cabinet Top – One piece:

- ✓ Heavy duty reinforced stainless steel. Drip resistant.
- ✓ "V" edge protects against spills.

Standard drawer features:

- ✓ Heavy-duty pull handle.
- ✓ Tracks and rollers make each drawer open and close easier, enduring quality.
- ✓ Each drawer fits 3 full size pans 4" deep.

Refrigeration system:

- ✓ Holds 33°F to 41°F (0.5°C to 5°C) for the best in food preservation.

Electronic control system:

- ✓ Adjustable temperature set point and defrost frequency.
- ✓ Error codes to diagnose service issues.

Standard heavy-duty casters make it easy to move and clean underneath.

Optional: Food pans

Easily accessible condenser coil for cleaning, and easy service access.