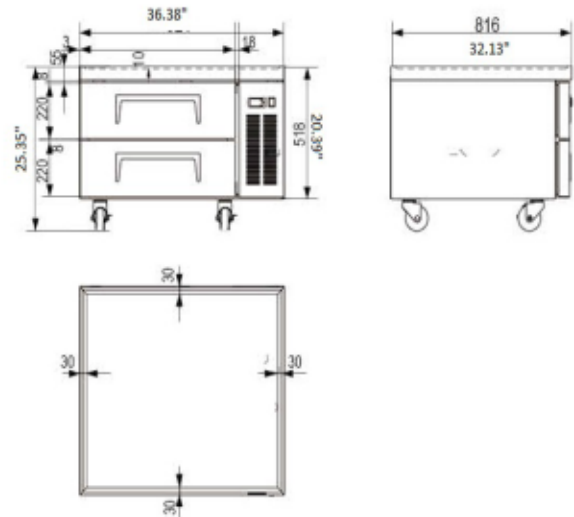


Model:  
**CBI-36**

# Chef Base Refrigerator

 Cooler



Drawers	GN Pans	Refrigerant	HP	Power	Amps.	Cu.ft.	Weight(lbs.)
2	2x1/1+6x1/6	R290	1/4+	115/60/1	8.5	12	200

## FEATURES

**Stainless steel interior and exterior** retains attractive finish longer. Matching aluminum finished back.

**Rounded corner** design inside of the cabinet makes it easy to clean it.

**Cabinet Top – One piece:**

- ✓ Heavy duty reinforced stainless steel. Drip resistant.
- ✓ "V" edge protects against spills.

**Standard drawer features:**

- ✓ Heavy-duty pull handle.
- ✓ Tracks and rollers make each drawer open and close easier, enduring quality.
- ✓ Each drawer fits one full size pan + 3x1/6 size pans-4" deep.

**Refrigeration system:**

- ✓ Holds 33°F to 41°F (0.5°C to 5°C) for the best in food preservation.

**Electronic control system:**

- ✓ Adjustable temperature set point and defrost frequency.
- ✓ Error codes to diagnose service issues.

**Standard heavy-duty casters** make it easy to move and clean underneath.

**Optional: Food pans**

Easily accessible condenser coil for cleaning, and easy service access.