

**REFRIGERATOR MANUFACTURER**  
**Turbo air**  
 more durable, efficient, beautiful

4184 E. Conant St.  
 Long Beach, CA 90808  
 Tel. 310-900-1000  
 Fax. 310-900-1077  
[www.turboairinc.com](http://www.turboairinc.com)

Project:	
Model #:	
Item #:	
Available W/H:	Qty:
Approval:	
AIA #:	SIS #:
CSI Section 11400	

## Straight Front Bakery Cases

Display Cases  
 European Straight Front Cases

### Patented Self-Cleaning Condenser



This product is equipped with a fine mesh filter to the front of the condenser to catch dust, and a rotating brush that moves up and down daily to remove excess buildup outward and away.

**Model : TCGB-48UF-S-N**



### ≡ FEATURES & BENEFITS ≡

#### ■ Self-Cleaning Condenser

The accumulation of dust in the condenser can cause the failure or breakdown of refrigerators. Refrigerators run normally until they reach a certain level of accumulation. At some point, when they are over the limit, their performance drops quickly resulting in damage to, or disposal of the stored products inside. The Self-Cleaning Condenser device keeps the condenser clean and prevents system failure by automatically brushing daily.

#### ■ Hydrocarbon refrigerants (R-290)

With innovative and eco-friendly technology, Turbo Air brings you hydrocarbon refrigerators designed to meet DOE's Energy Conservation Standards in 2017 and to use EPA's SNAP Program approved HC refrigerants. Hydrocarbon refrigerants do not deplete the ozone layer and have very low contribution to global warming (ODP-0, GWP-3).

#### ■ Attractive, elegant, glass sided Euro design

Straight tempered front glass and minimal frame provide full product visibility to optimize display effects. Its elegant contemporary euro design will not only enhance any store atmosphere but also will keep product presentation at its best and most beautiful.

#### ■ LED interior lighting under each shelf

#### ■ High-density polyurethane insulation

The entire cabinet structure is foamed-in-place using high density, CFC free polyurethane insulation.

#### ■ Low-E coated double pane glass is tempered for safety

#### ■ Adjustable, tempered glass shelves with stainless steel front and back edges

#### ■ Stainless steel exterior, floor, and airflow grille

#### ■ Sliding rear doors for product loading & unloading

#### ■ Rear access to compressor compartment for quick and easy service

#### ■ Refrigerated bakery case holds avg. 33°F ~ 41°F for fresher bakery products

NATURAL  
 Refrigerant



2 YEAR  
 WARRANTY


Compressor  
 5 YEAR  
 WARRANTY  
 U.S.A. only

Model	CU./FT.	# of Shelves	HP	AMPS	Crated Weight (lbs.)	L x D x H* (inches)
TCGB-48UF-S-N	15.6	2	1/3	7.5	666	47 <sup>7</sup> / <sub>8</sub> X 33 <sup>1</sup> / <sub>8</sub> X 50 <sup>1</sup> / <sub>8</sub>

# Straight Front Bakery Cases

Display Cases  
European Straight Front Cases

## Model : TCGB-48UF-S-N

ELECTRICAL DATA	
Voltage	115/60/1
Plug Type	 NEMA 5-15P
Full Load Amperes	7.5
Compressor HP	1/3
Cord Length (ft.)	47/8
Refrigerant	R-290
DIMENSIONAL DATA	
Net Capacity (cu. ft.)	15.6
Ext. Length Overall (in.)	48 1/2 (1231mm)
Ext. Depth Overall (in.)	33 1/8 (841mm)
Ext. Height Overall (in.)*	50 1/8 (1272mm)
Int. Length Overall (in.)	45 1/4 (1150mm)
Int. Depth Overall (in.)	21 1/2 (546mm)
Int. Height Overall (in.)	25 5/8 (650mm)
Shelf Size (L x D) (in.)	44 3/8 x 16 3/4
	44 3/8 x 18 3/4
# of Shelves	2
Net Weight (lbs.)	540
Gross Weight (lbs.)	666

Design and specifications subject to change without notice.

Actual shipping weight may differ due to extra packing materials for product protection.

\* Height does not include 5/8" for bolt height.

- **WARRANTY : 2 Year Parts and Labor Warranty**  
**Additional 3 Year Warranty on Compressor**

### STANDARD FEATURES

- **Self-contained system, no plumbing required**
- **Solar powered digital thermometer**
- **Digital electronic thermostat with defrost control**
- **Bolt height adjustable up to 2 3/4"**

\*\* Lead time applies. Please contact your sales representative for more details to order.

### Recommended operating conditions

TCGB models are designed to operate in an environment where temperature & humidity do not exceed 75°F and 55% respectively. Units should not be installed near HVAC vents, fans or doorways that will disrupt the air curtain and compromise the function of the cabinet. Air curtain models will run most efficiently when completely loaded with product.

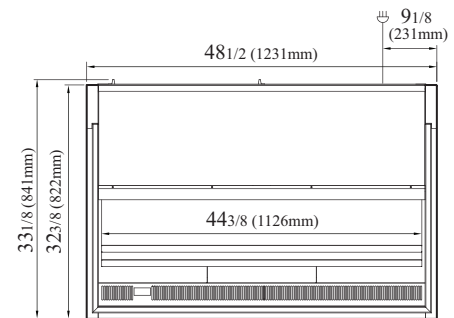
### OPTIONAL ACCESSORIES

- 1.6" caster: CAS16WBT00 (non-brake)
- 4" caster, 1/2" diameter & 13 TPI: G8F6500101 (non-brake), G8F6500201 (w/ brake)
- 6" leveling seismic leg (1/2", 13 TPI): 30221M0700

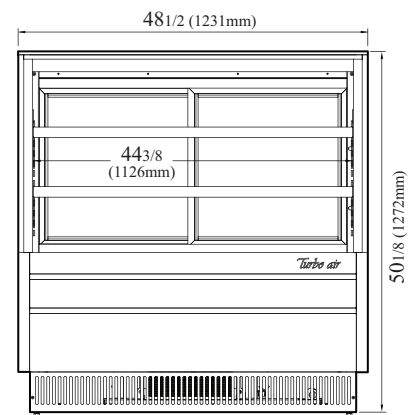
Ver.20210819

## PLAN VIEW

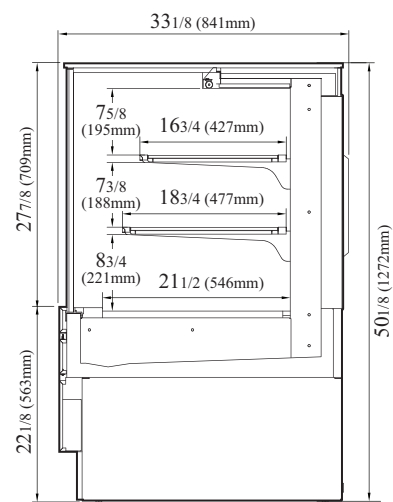
(unit : inch)



TOP VIEW



FRONT VIEW



SIDE VIEW

NATURAL Refrigerant



- Turbo Air : 800-627-0032
- GK : 800-500-3519
- Warranty : 800-381-7770
- AC : 888-900-1002

TURBO AIR REFRIGERATOR MANUFACTURER

GERMAN KNIFE

RADIANCE

TURBO AIR REFRIGERATION SYSTEM

TEXAKING

Continued product development may necessitate specification changes without notice.