

REFRIGERATOR MANUFACTURER
Turbo air
 more durable, efficient, beautiful

4184 E. Conant St.
 Long Beach, CA 90808
 Tel. 310-900-1000
 Fax. 310-900-1077
www.turboairinc.com

Project:	
Model #:	
Item #:	
Available W/H:	Qty:
Approval:	
AIA #:	SIS #:
CSI Section 11400	

Swing Door Freezers

Glass Door Merchandisers
 Super Deluxe Series

FEATURES & BENEFITS

Model : TGF-72SD*-N

Self-Cleaning Condenser

The accumulation of dust in the condenser can cause the failure or breakdown of refrigerators. Refrigerators run normally until they reach a certain level of accumulation. At some point, when they are over the limit, their performance drops quickly resulting in damage to, or disposal of the stored products inside. The Self-Cleaning Condenser device keeps the condenser clean and prevents system failure by automatically brushing daily.

Digital temperature control & monitor system

- Keeps food products safe by maintaining constant temperatures.
- Alarms that sound when doors are not sealed shut; protect against food spoilage that originates from cold air leaks.
- Early Warning Alarm program detects issues before malfunction occurs.
- Digital display allows for easy monitoring.
- Programs interpret the condition of refrigeration systems by self-diagnosis.
- Rapid cool-down function (Turbo Freeze)
- Smart defrost system will defrost as needed.
- Automatic evaporator fan motor delays.

Hydrocarbon refrigerants (R-290)

With innovative and eco-friendly technology, Turbo Air brings you hydrocarbon refrigerators designed to meet DOE's Energy Conservation Standards in 2017 and to use EPA's SNAP Program approved HC refrigerants. Hydrocarbon refrigerants do not deplete the ozone layer and have very low contribution to global warming (ODP-0, GWP-3).

Energy conserving fan control

Utilizing algorithmic air circulation for optimal temperature levels, our innovative fan control system conserves energy by at least 15% and increases compressor life by up to 30%.

Individual two cycle refrigeration systems

No electrical cabinet heater is needed

Turbo Air is the first in the industry to replace a frame heater with a method of using compressor-produced heat. This eliminates any unnecessary energy consumption while providing efficient freezing performance.

Shadow free advertising panel

Turbo Air is a pioneer in the refrigerator industry on applying special LED Light Guided Panels (LGP). LGP increases panel visibility and eliminates shadows, enhancing any store atmosphere with eye-catching effects. LED lighting offers 5 times longer lasting life than fluorescents and conserves energy as well.

High-density polyurethane insulation

The entire cabinet structure is foamed-in-place using high density, HCFC free polyurethane insulation.

Triple pane heated glass doors

Equipped with unique triple-pane heated glass doors which enhance energy efficiency by preventing heat transfers and minimizing condensation. Lightweight door construction reduces door maintenance, bushing wear, and facilitates smooth door opening.

LED interior lighting

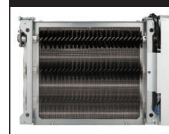


TGF-72SDB-N



TGF-72SDW-N

Patented Self-Cleaning Condenser



This product is equipped with a fine mesh filter to the front of the condenser to catch dust, and a rotating brush that moves up and down daily to remove excess buildup outward and away.

Freezer holds -10°F ~ 5°F for the best in frozen food preservation

2 & 3 Glass Door Freezers powered by 115V

Turbo Air's 2 & 3 Glass Door Freezers are powered by 115V. Not only is the 115V simple and easy to plug in and operate, it also saves customers over \$1,000 in electrical line installation for 220V powered glass door freezers. This feature is proof of our dedication to energy efficiency and the environment.




Model	Swing Door	CU./FT.	#of Shelves	HP	AMPS	Crated Weight (lbs.)	L x D* x H [†] (inches)
TGF-72SD*-N	3	60.43	12	1/2 x 2	15.7	915	78 x 31 ^{7/8} x 77

Swing Door Freezers

Glass Door Merchandisers
Super Deluxe Series

Model : TGF-72SD*-N

ELECTRICAL DATA	
Voltage	115/60/1
Plug Type	 NEMA 5-20P
Full Load Amperes / LRA	15.7 / 34
Compressor HP	1/2 x 2
Cord Length (ft.)	7
Refrigerant	R-290
DIMENSIONAL DATA	
# of Doors	3
Net Capacity (cu. ft.)	60.43
Ext. Length Overall (in.)	78 (1981mm)
Ext. Depth Overall (in.)*	31 7/8 (809mm)
Ext. Height Overall (in.)†	77 (1956mm)
Int. Length Overall (in.)	74 1/2 (1891mm)
Int. Depth Overall (in.)	27 7/8 (709mm)
Int. Height Overall (in.)	61 1/4 (1556mm)
# of Shelves	12
Shelf Size (L x D) (in.)	22 3/4 x 23 3/4 (Left/Right)
	24 3/4 x 23 3/4 (Middle)
Net Weight (lbs.)	818
Gross Weight (lbs.)	915

Design and specifications subject to change without notice.
Actual shipping weight may differ due to extra packing materials for product protection.
* Depth does not include 2-1/4" (57mm) for door handle.
† Height does not include 2-1/2" (63mm) for leg height.

■ **WARRANTY :** 3 Year Parts and Labor Warranty
Additional 4 Year Warranty on Compressor

■ STANDARD FEATURES

- **Anti-corrosion coated evaporator**
- **Door locks standard**
- **Two color options available (standard):** Super Deluxe series comes in white cabinet (W), black cabinet with black color trim (B).

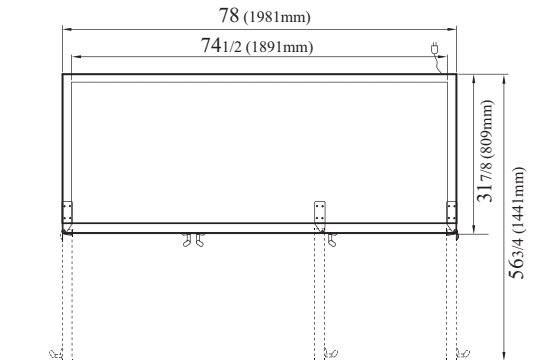
■ OPTIONAL ACCESSORIES

- 4" caster, 1/2" diameter & 13 TPI: G8F6500101 (non-brake), G8F6500201 (w/ brake)
- Additional PE coated wire shelf: P0178K0100(Left), P0178K0300(Middle), P0178K0200(Right)
- Price tag channel: P0122K5600 (Left & Right, 21"L), P0122K5400(Middle, 21-1/2"L)
- Sign panel (blank): P0145A1120

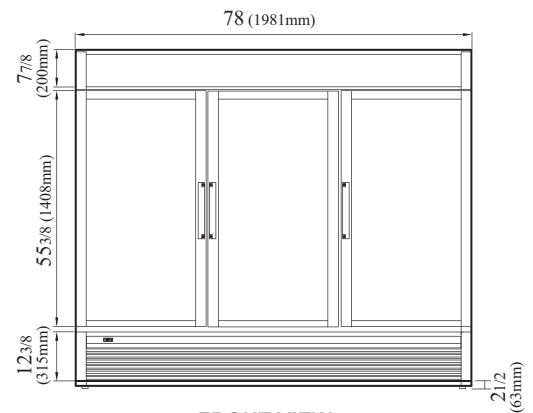
Ver.20220603

PLAN VIEW

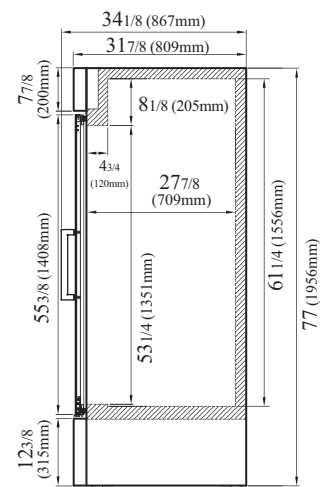
(unit : inch)



TOP VIEW



FRONT VIEW



SIDE VIEW



- Turbo Air : 800-627-0032
- GK : 800-500-3519
- Warranty : 800-381-7770
- AC : 888-900-1002

REFRIGERATOR MANUFACTURER
Turbo air

GERMAN
KNIFE

RADIANCE

REFRIGERATION SYSTEM
Turbo air

Texaking

Continued product development may necessitate specification changes without notice.