

# Insulated Self-Contained Kettle

Gas-Fired, 2/3 Jacketed  
Insulated for Safety  
Deep Drawn Construction  
Stationary, Floor Mounted  
Made in USA

**THERMA TILT**  
Model TT-TTFJ-T-G

## STANDARD FEATURES



TT-TTFJ-T-G40G

Shown with optional 3" draw-off valve

- ◆ 304 stainless kettle liner
- ◆ 304L stainless kettle jacket
- ◆ Kettle Protection System
- ◆ Thermostat temperature control, 150°F-260°
  - Pressure relief valve
  - Air eliminator valve
  - Pressure gauge
  - Jacket-water fill and sight glass
  - Automatic low water cutoff and indicator light
  - Safety pilot control
- ◆ Full body insulation (3" - 14") between kettle jacket and outer casing
- ◆ Electronic ignition, 120V standard
- ◆ 304 stainless outer casing seam welded to the 3" reinforced radius lip
- ◆ 304 stainless, seam welded control console
- ◆ 304 stainless, reinforced gear box
- ◆ 304 stainless, seam welded tubular frame construction
- ◆ Self-locking, permanently lubricated, single reduction worm gear case
- ◆ Adjustable flanged feet

## Models and Capacities

## Optional Features and Accessories

See price list for supplemental information regarding options

TT-TTFJ-T-G20G	20 gal.	76 l.
TT-TTFJ-T-G30G	30 gal.	114 l.
TT-TTFJ-T-G40G	40 gal.	152 l.

Select draw-off valve:  2"  3"\*

With:  compression  ball type fitting

See price list for other draw-off options.

\*If a 3" diameter draw-off valve is required, contact Legion for applicable dimensions.

Select voltage:  120V  208V  240V

Select gas:  Natural  Propane (LP)

Other

### Faucet Options:

Single or double fill faucet with bracket & 12" or 18" swing nozzle

.48" flexible spray hose assembly (vinyl or stainless) for use with dual or single fill faucet

Faucet bracket

Automatic water filling meter

(Call for information regarding additional faucet options)

### Prison/Security Options:

Fastener (screws & nuts)

Nut driver tool

Draw-off nut driver tool

Screw driver tool

Lockable control cover

Lockable lid

Draw-off protection

### Other Options:

Lift-off cover

1 piece actuator-assisted cover, 20 - 80 gallon

Pressure switch

Electric indicating timer with buzzer

1/2" gas quick disconnect

Flexible gas hose, 1/2" x 60"

Higher voltage electronic ignition

Mixer/Agitator, 2 speed

### Accessories:

Single basket insert, 20 - 40 gallon

Tri-basket insert

Nylon bag insert with spreader ring

Draw-off drain hose

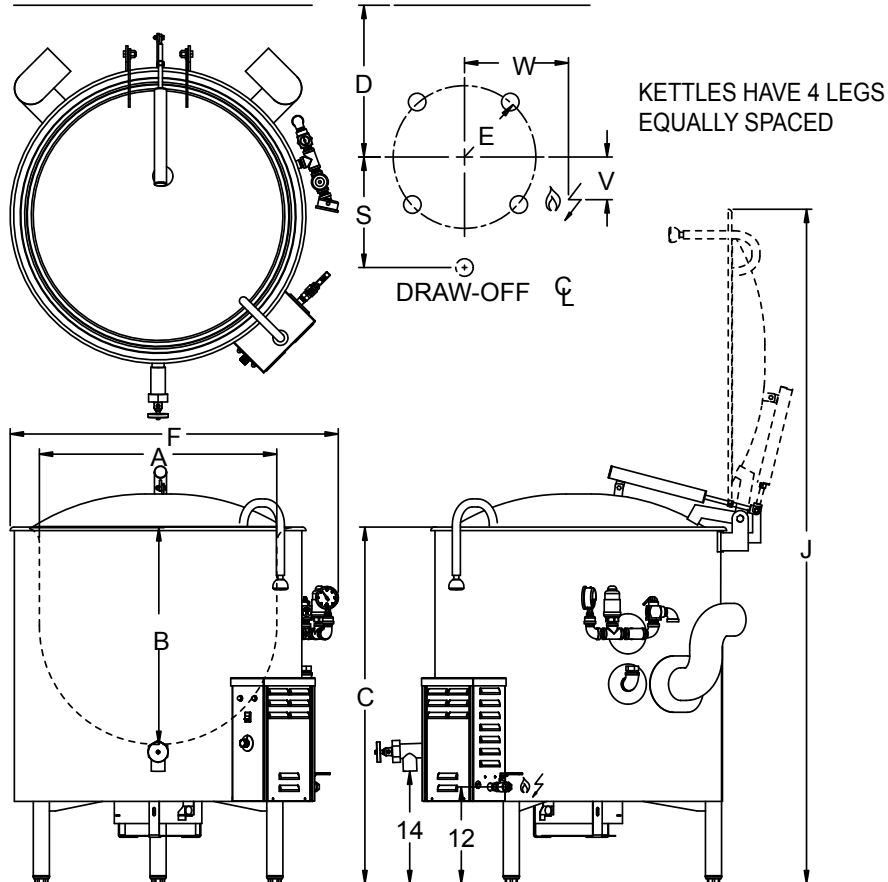
Measuring strip

Perforated disk strainer 1/8" or 1/4" holes

Kettle care kit

Kettle tools (see specification sheet)

DRAWING REPRESENTS 60 GALLON MODEL



MODEL LGB DIMENSIONS

Gal.	A	B	C	D	E	F	J	S	V	W
20	29.5	21.8	38.4	27.8	16.6	41.1	77.9	20.9	11.8	18.8
30	29.5	25.0	41.7	27.8	16.6	41.1	81.2	20.9	11.8	18.8
40	32.5	27.6	45.1	29.3	18.1	44.1	87.6	22.4	12.8	19.9

Gal.	BTU RATING		Natural	Propane	Electrical
	Natural	Propane			
20	106,800	108,500	Supply Piping: 1/2" IPS	Supply Piping: 1/2" IPS	120 volt (standard) 208/240 volt (optional) 50/60 Hz 1 Phase 1 Amp
30	131,400	131,100			
40	154,800	149,200			
			Supply Piping: 3/4" IPS Supply Pressure: 5-7"W.C. (nominal) Outlet Pressure Factory Setting: 3.5"W.C.	Supply Piping: 3/4" IPS Supply Pressure: 12-14"W.C. (nominal) Outlet Pressure Factory Setting: 10.0"W.C.	

Revision 512