

# Insulated Self-Contained Kettle

Gas-Fired, 2/3 Jacketed  
Insulated for Safety  
Deep Drawn Construction  
Stationary, Floor Mounted  
Made in USA

**THERMA KETTLE**  
Model 3J-SG

## STANDARD FEATURES



Standard Model 3J-S-G40G & Low-Rim Model

Shown with Therma Kettle Tools

- ◆ Kettle System
  - ◇ Seamless deep-drawn 304 kettle liner with a integrally formed radius lip
  - ◇ 304 stainless draw-off tube and welds
  - ◇ 304 stainless 2" compression draw-off
- ◆ 304L stainless kettle jacket
- ◆ Kettle protection system
  - ◇ Thermostat temperature control, 150°F - 260°F
  - ◇ Pressure relief valve
  - ◇ Air eliminator valve
  - ◇ Pressure gauge
  - ◇ Jacket-water fill and sight glass
  - ◇ Automatic low water cut off and indicator light
  - ◇ Safety pilot control
- ◆ Full body insulation between kettle jacket and outer casing
- ◆ Electronic ignition, 120V Standard
- ◆ 304 stainless outer casing seam welded to radius lip
- ◆ 304 stainless, seam welded control console
- ◆ 304 stainless, one piece, domed cover, actuator-assisted on 40 - 125 gallon
- ◆ Perforated disc strainer, 1/4" holes
- ◆ Adjustable bullet feet

## Models and Capacities

## Optional Features and Accessories

See price list for supplemental information regarding options

TT-TK2/3J-S-G20G    20 gal.    76 l.

TT-TK2/3J-S-G25G    25 gal.    95 l.

TT-TK2/3J-S-G30G    30 gal.    114 l.

TT-TK2/3J-S-G40G    40 gal.    151 l.

### Faucet Options:

- \_ Single or dual faucet with bracket & 12" or 18" swing nozzle
- \_ 48" flexible spray hose assembly (vinyl or stainless) for dual or single faucet
- \_ Faucet bracket
- \_ Automatic water filling meter

(Call for information regarding additional faucet options)

### Prison/Security Options:

- \_ Fasteners (screws & nuts)
- \_ Nut driver tool
- \_ Draw-off nut driver tool
- \_ Screw driver tool
- \_ Lockable control cover
- \_ Lockable lid
- \_ Draw-off protection

### Feet:

- \_ Adjustable flanged feet

### Other Options:

- \_ Electric timer with buzzer
- \_ Pressure switch
- \_ Mixer/agitator, 2 speed
- \_ Gas quick disconnect 1/2"
- \_ Flexible gas hose 1/2" x 60"

### Accessories:

- \_ Draw-off drain hose
- \_ Measuring strip
- \_ Disc strainer; solid or perforated, 1/8" or 1/4"
- \_ Care kit

### Covers:

- \_ Lift-off or 2 piece hinged
- \_ 1 piece actuator-assisted, 20 - 30 gal.

### Baskets:

- \_ Single basket, 20 - 40 gal.
- \_ Tri-basket insert
- \_ Nylon bag insert with spreader ring

Select draw-off valve:  2"  3"\*

With:  compression  ball type fitting

See price list for other draw-off options.

\*If a 3" diameter draw-off valve is required, contact Legion for applicable dimensions.

Select voltage:  120V  208V  240V

Select gas:  Natural  Propane (LP)  Other

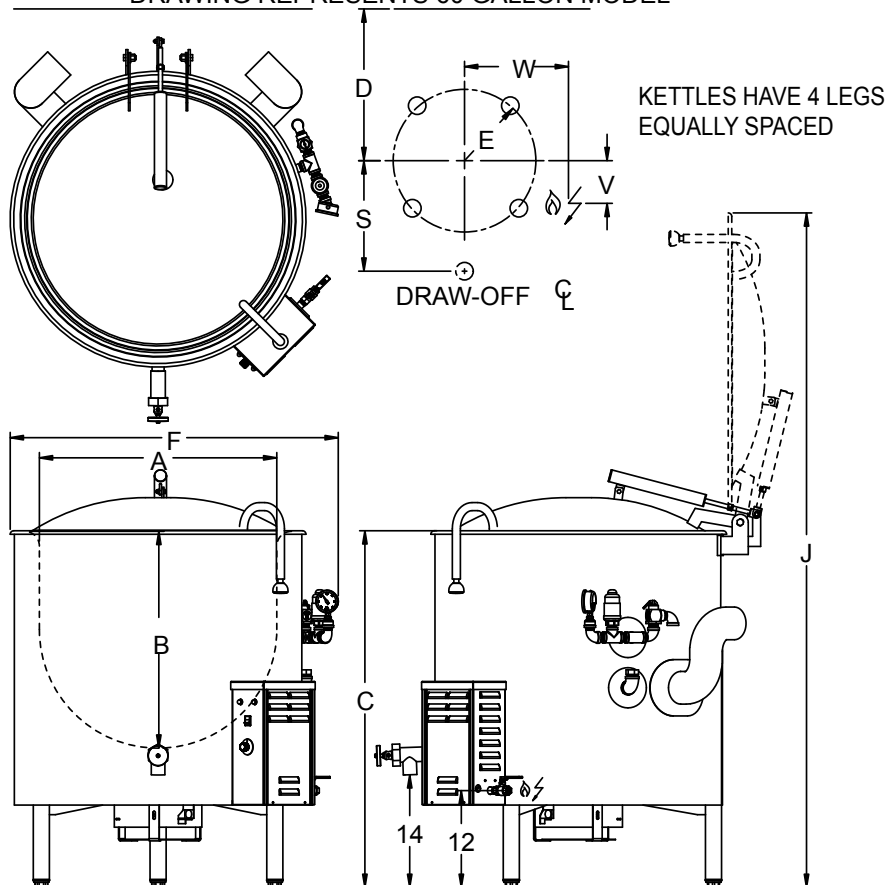
Revision 512

**THERMA KETTLE**  
**Model 3J-SG**

Gas-Fired, 2/3 Jacketed  
Insulated for Safety  
Deep Drawn Construction  
Stationary, Floor Mounted  
Made in USA

**Insulated Self-Contained Kettle**

DRAWING REPRESENTS 60 GALLON MODEL



**MODEL LGB DIMENSIONS**

Gal.	A	B	C	D	E	F	J	S	V	W
20	22.0	16.0	32.0	24.1	12.9	34.4	64.0	17.2	9.1	16.2
25	23.0	17.8	34.4	24.6	13.4	35.4	67.4	17.7	9.4	16.5
30	23.0	20.3	37.1	24.6	13.4	35.4	70.1	17.7	9.4	16.5
40	25.5	22.3	42.0	25.8	14.6	37.1	77.5	18.9	10.3	17.4

Gal.	BTU RATING		Natural	Propane	Electrical
	Natural	Propane			
20	63,200	59,600	Supply Piping: 1/2" IPS	Supply Piping: 1/2" IPS	120 volt (standard) 208/240 volt (optional) 50/60 Hz 1 Phase 1 Amp
25	66,700	67,800			
30	66,700	67,800			
40	79,900	83,100	Supply Piping: 3/4" IPS	Supply Piping: 3/4" IPS	

Revision 719