

Insulated Tilting Skillet

Electric,
Insulated for Safety™
10° Tilting, Leg Mounted
Made in USA

COMBI TEK
Multi Function Pan
TT-CTSK-E40

Standard Features



(with optional drain hose and spray hose assembly)

- ◆ 304 stainless food contact zone with:
 - ◇ 304 stainless 1 ½" compression draw-off
- ◆ 304 stainless seam welded pan body with:
 - ◇ 10° tilting pan, 31" working height
 - ◇ Food pan holder under draw-off
 - ◇ Insulated sides and bottom
 - ◇ Rear drip collector on pan body
 - ◇ Tapered access rim
 - ◇ 240V, three phase (3Ø) standard
- ◆ Adjustable thermostat (175°F to 400°F)
- ◆ High limit safety thermostat
- ◆ Patented 304 stainless safety lid, seam welded with:
 - ◇ Actuator-assisted counterbalance
 - ◇ Full width condensate drip shield
 - ◇ Full width rear steam vent
 - ◇ 304 stainless safety handle
 - ◇ Dual side-mounted safety handles
- ◆ 304 stainless, seam welded component enclosure
- ◆ 304 stainless, seam welded tubular frame construction
- ◆ Adjustable flanged feet (flanged front, bullet rear)
- ◆ Approved for use as a fryer

Models and Capacities

Model	2.5" Insert Pans	Cooking Baskets	Griddle Area (in. ²)	Kettle (Gals.)	Frying Oil (lbs.)	Oven Volume (ft. ³)
TT-CTSK-E40G	3	3	1029	40.1	105	5.4
TT-CTSK-G40G	3	3	1029	49.0	105	6.6

Optional Features and Accessories

See price list for supplemental information regarding options

Faucet Options:

- _Single ball valve mounted to frame with 48" vinyl flexible spray hose assembly
- _48" flexible spray hose assembly (vinyl or stainless) for use with dual or single fill faucet
- _Automatic water filling meter

(Call for information regarding additional faucet options)

Prison/Security Options:

- _Fasteners (screws & nuts)
- _Nut / screw driver tool
- _Draw-off nut driver tool
- _Lockable control cover
- _Lockable lid
- _Draw-off protection

Feet:

- _Adjustable flanged feet (rear feet)
- _Casters (two each locking/non-locking type) & restraining devices
- _Restraining device kit

Accessories:

- _Perforated cooking/steaming basket (11" x 20½" x 5")
- _Perforated or solid 12 x 20 food pans, 2½, 4 or 6 inch deep
- _Draw-off drain spout
- _Draw-off strainer
- _Draw-off drain hose
- _#10 Can holder for draw-off
- _Flat bottom scoop
- _Fry scoop
- _Care kit
- _3 part tool for cleaning cooking surface

Other Options:

- _Knockdown capability for 26" x 66" opening (*shipped assembled*)
- _Electric timer with buzzer

Select draw-off valve: 1.5" 2" 3"

With: compression ball type fitting

See price list for other draw-off options.

Select Voltage: 208V 240V 380V 415V 440V 480V

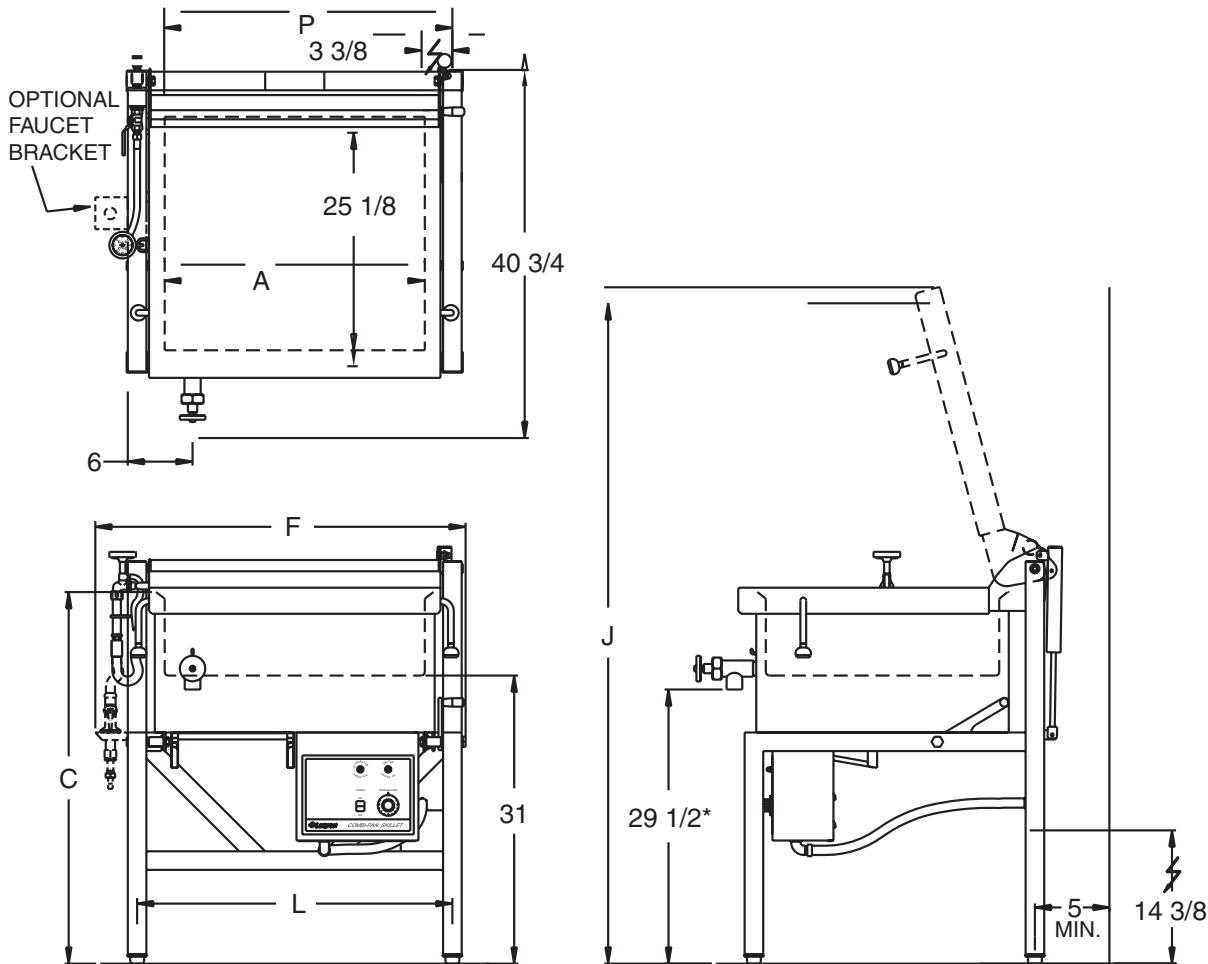
Select Phase: 1φ 3φ

COMBI TEK
Multi Function Pan
Model TT-CTSKE40/G40

Electric,
Insulated for Safety™
10° Tilting, Leg Mounted
Made in USA

Multi Function Pan
TT-CTSK-E40

DRAWING REPRESENTS MODEL CS28-9 WITH STANDARD 1 1/2 DRAW-OFF
AND OPTIONAL SINGLE BALL VALVE AND SPRAY HOSE ASSEMBLY



MULTI FUNCTION PAN TILTING SKILLET DIMENSIONS

Model*	DEPTH	A (PAN ID)	C	F	J	L	P (DRAIN)
TT-CTSK-E40G-9	9	41.0	40.0	53.0	72.8	47.0	45.4
TT-CTSK-G40G-9	9	41.0	40.0	53.0	72.8	47.0	45.4

*Dimensions on these drawings are applicable only when using a 1.5" diameter draw-off valve. If a 2" or 3" diameter draw-off valve is required, contact us for applicable dimensions.

MULTI FUNCTION PAN TILTING ELECTRICAL SPECIFICATIONS (Amperes per Leg)

MODEL*	kW	208 Volt		240 Volt		380 Volt	415 Volt	440 Volt	480 Volt
		1 Phase	3 Phase-Δ	1 Phase	3 Phase-Δ	3 Phase-Y	3 Phase-Y	3 Phase-Y	3 Phase-Y
TT-CTSK-E40G	11.8	51.3	29.6	49.3	28.4	18.0	16.4	15.5	14.2

MULTI FUNCTION PAN TILTING SKILLET GAS SPECIFICATIONS

MODEL*	GAS RATING - BTU INPUT		GAS PRESSURE & PIPING SPECIFICATIONS	
	NATURAL	PROPANE	NATURAL	PROPANE
TT-CTSK-G40G	132,000	149,000	Outlet Pressure Settings, 3.5 inches w.c.	Outlet Pressure Settings, 10.0 inches w.c.

Revision 719