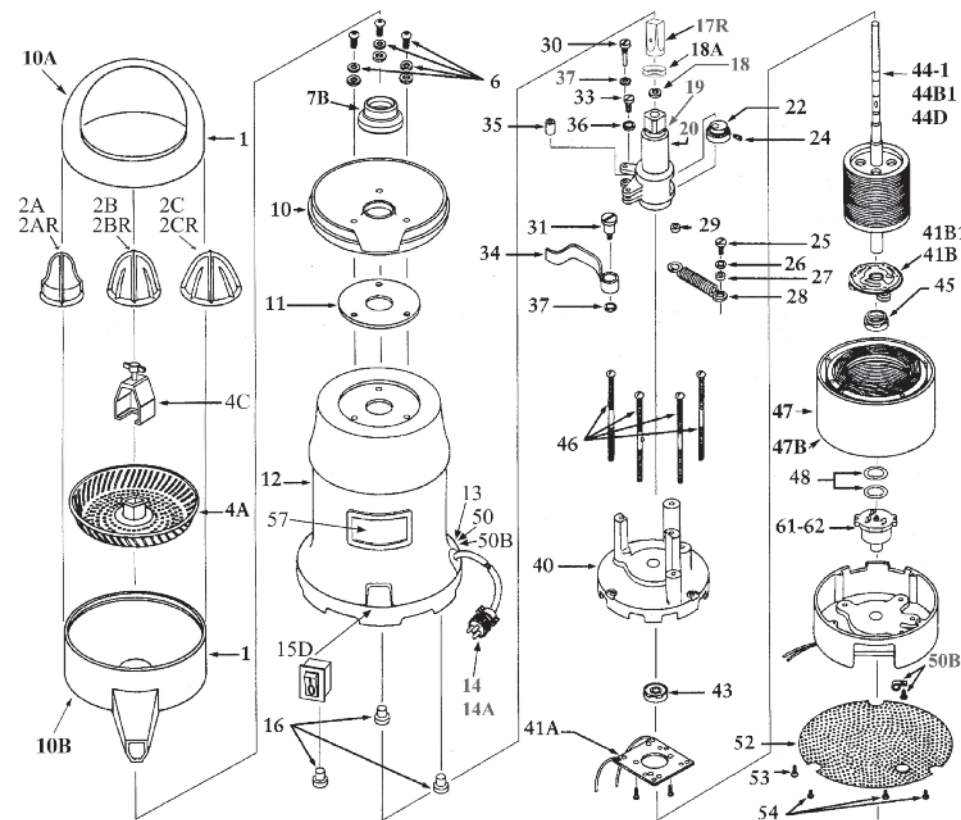


Sunkist

Commercial Juicer #8 Parts Information



Specifications

Chrome-plated steel housing.
Corrosion proof plastic dome, spout & bowl support.
Safe...Listed by UL, NSF Int'l, CUL, CE (Europe)
Shipping weight37 pounds
Net weight31 pounds
Overall dimensions ...17" high 8" diameter
Horsepower1/4
Cube1.12
Carton size22 3/4" x 9 3/4" x 9 3/4"

Part Number Description

- 1. Plastic Bowl Assembly incl. dome (10A), spout (10B) & bowl support (10)
- 2. Extracting Bulb Set w/metal insert (only use with 17 or 17C)
 - A. Lemon/Lime fits #8 model
 - B. Orange fits #7 & #8 models
 - C. Grapefruit fits #7 & #8 models
- 2R. Extracting Bulb Set w/o metal insert (only use with 17R)
 - AR. Lemon/Lime
 - BR. Orange
 - CR. Grapefruit
- 3. Lever Lock & Screws for Strainer (for #7 juicer - not illustrated)
- 4. Strainer w/Lever Lock & Screws (for #7 juicer - not illustrated)
- 4A. Strainer for #8 juicer
- 4C. Strainer Puller for #8 juicer
- 6. Bowl Support Screws, Spacers, Washers (set of 3)
- 7. Umbrella Ring w/Set Screw & Gasket (not illustrated)
- 7B. Umbrella Seal (only for use on grooved eccentric housings, replaces 7, 8 & 9)
- 8. Umbrella Ring Set Screw (incl'd w/7) (not illustrated)
- 9. Umbrella Ring Gasket (incl'd w/7) (not illustrated)
- 10. Plastic Bowl Support only (incl'd w/#1)
- 10A. Plastic Dome only (incl'd w/#1)
- 10B. Plastic Spout only (incl'd w/#1)
- 11. Bowl Support Gasket
- 12. Chrome Motor Housing
- 13. Electric Cord Bushing (use w/ 50B)
- 14. Electric Cord 115/60
- 14A. Rubber Cord - Export

Part Number Description

- 15. Toggle Switch w/Switch Guard (not illustrated)
- 15D. Rocker Switch w/Switch Seal
- 15E. Connectors for 14A & 15D (set of 4) (not illustrated)
- 16. Rubber Feet (set of 3)
- 17. Shaft Tip w/Pin (not illustrated) (only use with 2A, 2B, and/or 2C)
- 17C. Shaft Tip w/Pin (graduated tip) (not illustrated) (only use with 2A, 2B, and/or 2C)
- 17R. Shaft Tip w/Pin (flat tip) (only use with 2AR, 2BR, and/or 2CR)
- 18. Eccentric housing Gasket (incl'd w/#20)
- 18A. Shaft Tip Gasket (fits 17C and 17R)
- 19. Brass Tube
- 20-7. Eccentric Housing w/Bearings, Gasket & Brass Tube #7 Juicer
- 20-8. Eccentric Housing w/Bearings, Gasket & Brass Tube #8 Juicer
- 20-8C. Eccentric Mechanism #8 Juicer
- 22. Ecc. Hub w/Bearing & Screw
- 24. Ecc. Hub Hex Screw 1/4-20x1/2
- 25. Spring Screw to Motor Mount 10-32
- 26. Lock Washers incl. 36 (2) & 37 (3)
- 27. Bronze Bushing Coil Spring to Motor Mount 9/64 x 3/8 x 1/4
- 28. Coil Spring
- 29. Bronze Bushing Coil Spring to Ecc. Housing 9/64 x 3/8 x 3/16
- 30. Arm Screw - Small 1/4-32 x 1 1/16
- 31. Arm Screw - Large 1/4-20 x 2 9/32
- 33. Spring Screw to Ecc. Housing 1/4-32
- 34. Eccentric Arm
- 35. Ecc. Arm Bronze Bushing 1/2 x 3/16 x 3/16
- 36. Lock Washer, 3/16, Internal Tooth
- 37. Lock Washer, 1/4, Internal Tooth

Part Number Description

- 40. Top Motor Casting
- 41A. Stationary Motor Switch - Bluffton Motor
- 41B. Centrifugal Motor Switch 115V - Bluffton Motor
- 41B1. Centrifugal Motor Switch 230V - Bluffton Motor
- 43. Motor Bearing Top or Bottom - Bluffton
- 44-1. Rotor w/shaft Bluffton Motor 115/60
- 44B1. Rotor w/shaft Bluffton Motor 230/50
- 44D. Rotor w/shaft Bluffton Motor 230/60
- 45. Motor Bearing Top or Bottom - Indiana
- 46. Motor Screws (set of 4)
- 47. Stator (winding) - Bluffton Motor 115/60
- 47B. Stator (winding) - Bluffton Motor 230/50
- 48. Tension Washers - Bluffton Motor (set of 2)
- 50. Electric Cord Strain Relief for J-2
- 50B. Electric Cord Strain Relief for J-1, J-4 & J-5
- 52. Perforated Base Plate
- 53. Ground Screw w/Lock Washer for J-1, J-4 & J-5 (set of 2)
- 54. Base Plate Screws for J-1, J-4 & J-5 (set of 3)
- 57. Logo Plate, Label and Fasteners
- 61. Thermal Overload 115/60 - Bluffton Motor
- 62. Thermal Overload 230/50 - Bluffton Motor
- 64. Model #7 or #8 Motor - 115/60 4.3 amp - 1725 rpm
- 65. Model #7 or #8 Motor - 230/50 2.5 amp - 1425 rpm
- 67. Model #7 or #8 Motor - 230/60 2.2 amp - 1725 rpm

