

SCR312LBIWC2



25.5" x 17.75" x 20.25" (H x W x D)

Commercially approved built-in or freestanding compact wine cellar with glass door, front lock, and digital thermostat

Highlights:

Commercially listed to NSF-7 standards

Flexible design allows built-in or freestanding use

Versatile interior lets you store red or white wine upright or horizontally on wooden shelves

Factory installed lock provides security you can count on

Product Features:

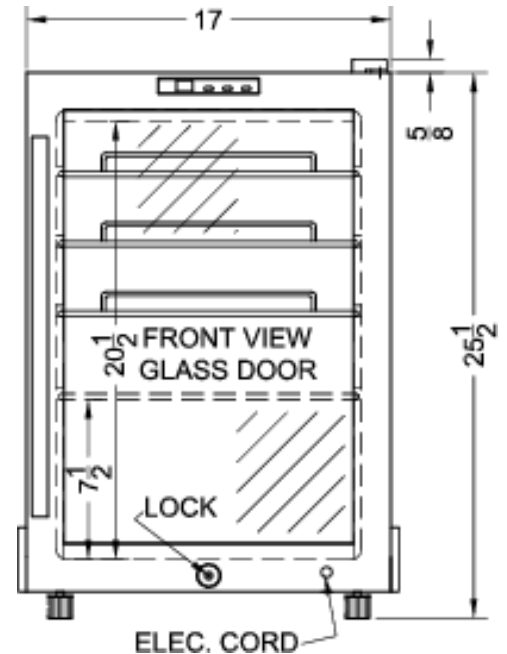
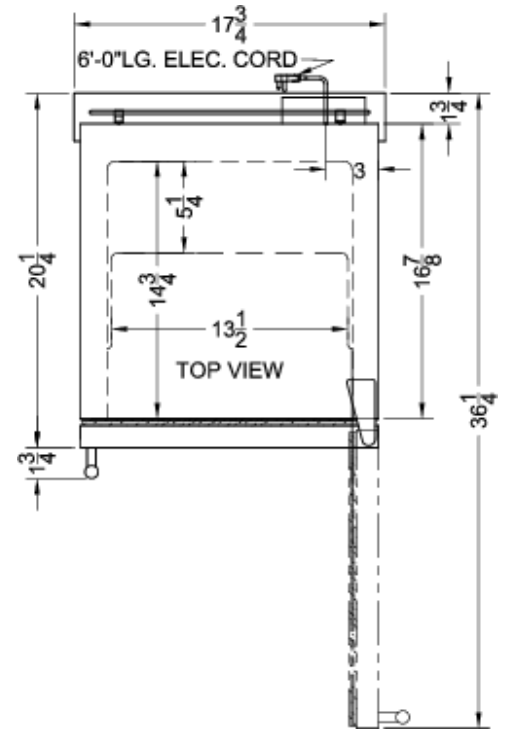
| | |
|----------------------------------|---|
| Built-in or freestanding capable | Front-breathing system allows the unit to be used built-in, while the finished cabinet also allows freestanding use |
| Commercially approved | ETL-S listed to NSF-7 commercial standards |
| Double pane tempered glass door | Heat resistant design provides clear view of stored products |
| Factory installed lock | Keyed lock offers convenient security |
| 22 bottle capacity | Interior can hold up to 22 standard 750ml Bordeaux style bottles. If using this wine cellar for wider Burgundy/Pinot Noir bottles, you can store up to 18 of those bottles with an additional 3 Bordeaux bottles. |
| Professional handle | Stainless steel handle offers a professional look |
| Automatic defrost | Reduced user maintenance with auto defrost system |
| Digital thermostat | Precise temperature management with easy electronic controls and a digital display |
| Interior LED light | Externally located button turns this light on and off to illuminate the products for a tempting view |



SCR312LBIWC2 Specifications:

| Overview | |
|----------------------------|----------------|
| Height | 25.5" |
| Height to Hinge Cap | 26.13" |
| Width | 17.75" |
| Depth | 20.25" |
| Depth with Handle | 22.0" |
| Depth with door at 90° | 36.25" |
| Capacity | 2.5 cu.ft. |
| Bottles | 22 bottles |
| Defrost Type | Automatic |
| Door | Glass |
| Cabinet | Black |
| US Electrical Safety | ETL |
| Canadian Electrical Safety | ETL-C |
| Sanitation | ETL-S |
| Amps | 1.3 |
| Voltage/Frequency | 115 V AC/60 Hz |
| Weight | 50.0 lbs. |
| Shipping Weight | 80.0 lbs. |
| Parts & Labor Warranty | 1 Year |
| Compressor Warranty | 5 Years |
| Wine Cellar | |
| Number of Zones | 1 |
| Door Swing | RHD |
| Reversible | No |
| Adjustable Shelves | Yes |
| Shelf Type | Wood |
| Shelf Qty | 4 |
| Thermostat Type | Digital |
| Interior Light | Yes |
| Refrigerant Type | R134a |
| Refrigerant Amount | 1.82 oz. |
| High Side PSI | 270.0 |
| Low Side PSI | 103.0 |
| Interior Height 1 | 20.5" |
| Interior Width 1 | 13.5" |
| Interior Depth 1 | 14.75" |
| Compressor Step Height | 7.5" |

| | |
|-----------------------|-------------|
| Compressor Step Width | 13.5" |
| Compressor Step Depth | 5.25" |
| Temperature Range | 40° to 72°F |



SUMMIT APPLIANCE DIVISION FELIX STORCH, INC.

770 Garrison Avenue, Bronx, NY 10474 USA TEL 718-893-3900 FAX 844-478-8799 info@summitappliance.com www.summitappliance.com