

SCR312LBICSS



25.5" x 17.75" x 20.25" (H x W x D)

Compact commercial beverage center for built-in or freestanding use, with glass door, stainless steel cabinet, and digital thermostat

Highlights:

Commercially approved for storage of beverages and sealed goods

Factory installed lock provides security you can count on

Digital thermostat with convenient external location for easy temperature control

Interior LED lighting for an elegant display with energy efficiency

Product Features:

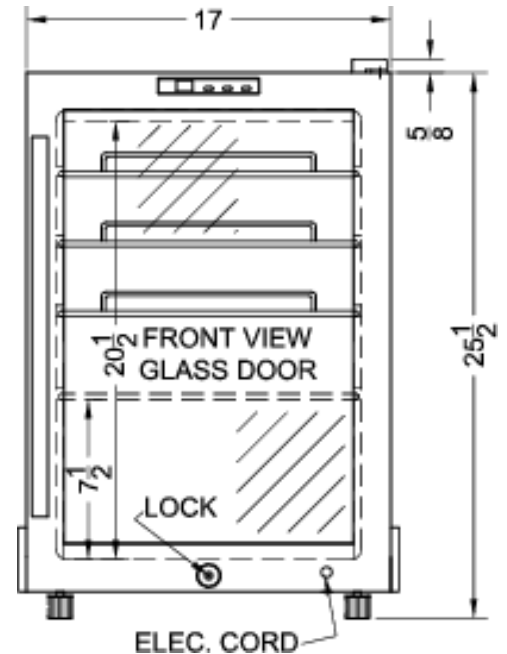
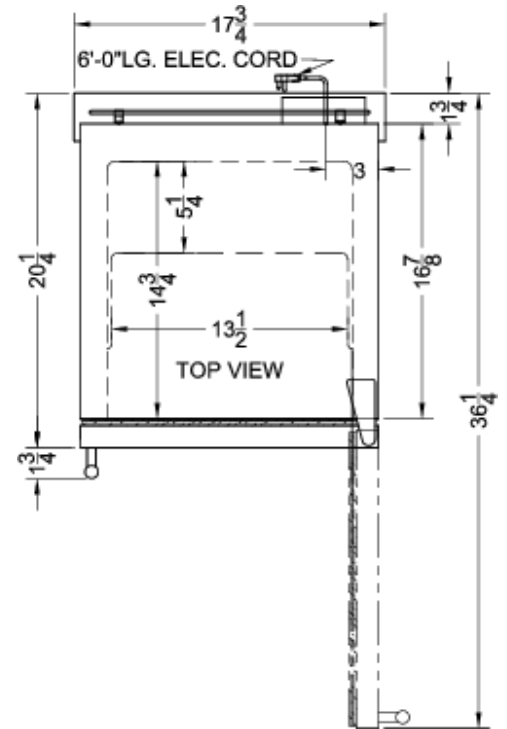
| | |
|---------------------------------|---|
| Commercially approved | ETL-S listed to NSF-7 commercial standards |
| Double pane tempered glass door | Heat resistant design provides clear view of stored products, with an elegant trim in brushed aluminum |
| Stainless steel cabinet | Durable elegance built to last |
| Professional handle | 17 1/2" long handle in brushed aluminum |
| Factory installed lock | Keep contents secure with a front lock on the door |
| Automatic defrost | No-frost convenience for reduced user maintenance |
| Digital thermostat | Precise temperature management at the touch of a button, with an external display for added convenience |
| Interior LED light | Externally located button turns this light on and off to illuminate the products for a tempting view |
| Adjustable chrome shelves | Rearrange the refrigerator space to fit any sized item or remove shelves for simple cleanup |



SCR312LBICSS Specifications:

| Overview | |
|----------------------------|-----------------|
| Height | 25.5" |
| Height to Hinge Cap | 26.13" |
| Width | 17.75" |
| Depth | 20.25" |
| Depth with Handle | 22.0" |
| Depth with door at 90° | 36.25" |
| Capacity | 2.5 cu.ft. |
| Defrost Type | Automatic |
| Door | Glass |
| Cabinet | Stainless Steel |
| US Electrical Safety | ETL |
| Canadian Electrical Safety | ETL-C |
| Sanitation | ETL-S |
| Amps | 1.3 |
| Voltage/Frequency | 115 V AC/60 Hz |
| Shipping Weight | 100.0 lbs. |
| Parts & Labor Warranty | 1 Year |
| Compressor Warranty | 5 Years |
| Refrigerator Features | |
| Door Swing | RHD |
| Reversible | No |
| Shelf Type | Wire |
| Shelf Qty | 4 |
| Adjustable Shelves | Yes |
| Thermostat Type | Digital |
| Fan Type | Exterior |
| Refrigerant Type | R134a |
| Refrigerant Amount | 1.82oz. |
| High Side PSI | 270.0 |
| Low Side PSI | 103.0 |
| Level Legs Qty | 2 |
| Interior Light | Yes |
| Dimensions | |
| Interior Height | 20.5" |
| Interior Width | 13.5" |
| Interior Depth | 14.75" |
| Compressor Step Height | 7.5" |

| | |
|-----------------------|-------|
| Compressor Step Width | 13.5" |
| Compressor Step Depth | 5.25" |



SUMMIT APPLIANCE DIVISION FELIX STORCH, INC.

770 Garrison Avenue, Bronx, NY 10474 USA TEL 718-893-3900 FAX 844-478-8799 info@summitappliance.com www.summitappliance.com