



Foodservice Equipment

Job \_\_\_\_\_ Item# \_\_\_\_\_

## **E9451-HP34CDN Economy Heater / Proofer**



### **SIZE:**

#### **E9451-HP34CDN-**

66-7/16" High, 22-13/16" Wide, 33-5/16" Deep  
1688 mm High, 580 mm Wide, 847 mm Deep

**Toastmaster's E9451-HP34CDN** - In locations where cabinets will be used primarily for holding with infrequent serving applications (gauged by door openings) or in situations with limited start-up budgets, the non-insulated cabinet would satisfy most requirements. In higher volume operations with more frequent serving applications the insulated cabinet would be the better choice as it delivers a faster recovery and greater consistency of temperature.

### **CONSTRUCTION:**

- Aluminum construction
- Removable heating console

### **CONTROLS:**

- Mechanical controls
- Indicator light for thermostat
- Separate heat and humidity controls

### **LABORATORY CERTIFICATION AND APPROVAL**



### **STANDARD FEATURES:**

- Air baffle and circulation air blower provide even heat distribution
- Aluminum construction
- Set of 5" swivel casters w/brakes
- Polycarbonate door
- Magnetic door gaskets
- Lift-off door
- Full length door handle

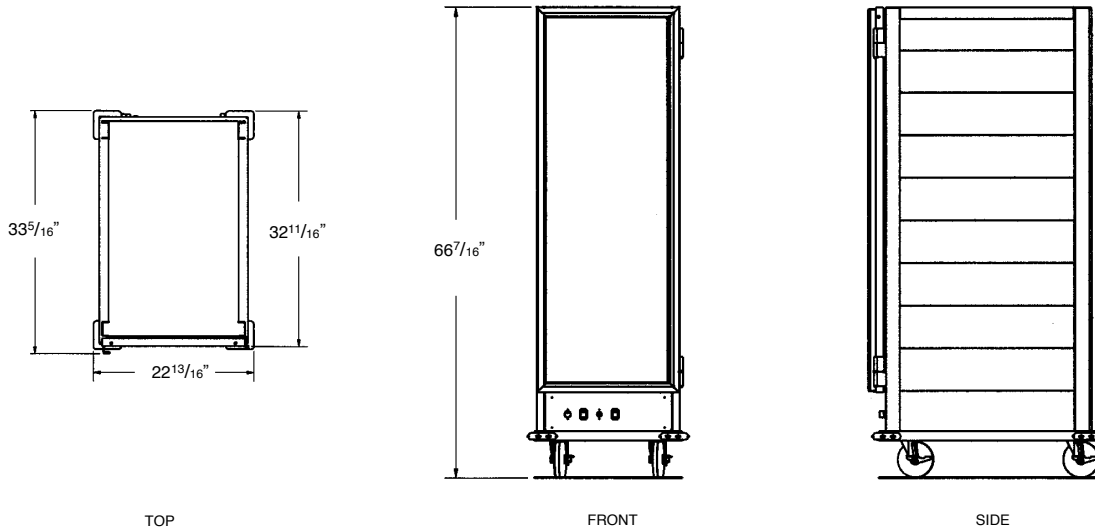
### **OPTIONAL FEATURES:**

- Solid door

**Toastmaster®** 10 Sunnen Dr. St. Louis, MO 63143 • [www.toastmastercorp.com](http://www.toastmastercorp.com)

Toll Free: 1-800-264-7827 • Telephone: 1-314-781-2777 • Toll Free Fax: 1-800-264-6666 • Fax: 314-781-3636

# E9451-HP34CDN Economy Heater / Proofer



**SPECIFICATIONS:**

- 120 Volt single phase is standard

**SERVICE CONNECTIONS:**

- Unit provided with 6 foot detachable cord and plug. NEMA 5-20P
- Removable console consisting of blower, three-way toggle switch, running lights to indicate heater (holding) or proofing mode, stainless steel water reservoir.
- Element controlled by 180 degrees thermostat.  
1500 Watts in heating mode.  
1500 Watts in proofing mode.

**ELECTRICAL:**

Amp Draw	120/1	208/3	240/1	240/3
	14	n/a	n/a	n/a

**INSTALLATION:**

Allow four inches on each side and back of unit for ventilation of heater/proofer.

**LISTINGS:**

The E9451-HP34CDNF has C-ETL-US and NSF listings.



**CAPACITY:**

Heater/ Proofer	18"x26" Full Size Sheet Pans	13"x18" Half Size Sheet Pans	Spacing
		34	68

**DIMENSIONS:**

	Height	Width	Depth
<b>Exterior</b>	66-7/16"	22-13/16"	33-5/16"
<b>Interior</b>	51-3/4"	18-1/8"	27-1/2"

**DOOR SWING:**

- Door swings 270 degrees to the recessed side of the cabinet

**PACKING SIZE:**

72" High, 28" Wide, 40" Deep  
(1828 mm High, 711 mm Wide, 1016 mm Deep)

**SHIPPING WEIGHT:**

140 Pounds, FOB Menominee, MI 49858

**INTENDED FOR COMMERCIAL USE ONLY. NOT FOR HOUSEHOLD USE.**

TM120/1060



Toastermaster, in line with its policy to continually improve its product, reserves the right to change materials or specifications without notice. Such revisions do not entitle the buyer to corresponding changes, improvements, additions, or replacements for previously purchased equipment.



**Toastermaster**® 10 Sunnen Dr. St. Louis, MO 63143 • www.toastermastercorp.com

Toll Free: 1-800-264-7827 • Telephone: 1-314-781-2777 • Toll Free Fax: 1-800-264-6666 • Fax: 314-781-3636