



SPECIALTY GROOVED TWO-SIDED GRILL

Model CG14STE

Features/Benefits:

- ★ Split top design cooks a variety of products at the same time while allowing maximum control of different temperatures.
- ★ Grooved "Panini" Grill enhances the looks of your menu by adding sear marks to your sandwiches, chicken breasts, hamburgers or other menu items.
- ★ Heavy-duty aluminum platens provide superior performance and long life.
- ★ A counter balance hinge system provides safe and effortless operation of both top platens. Spacious grilling height accommodates product up to three inches.
- ★ Electronic programmable timer with four channels to set time and temperature. The timer counts down the cooking time and is equipped with an audible alarm to signal when timer reaches zero.
- ★ Easy to read digital thermostat is rated from 250°F (79°C) to 550°F (302°C).
- ★ Front grease trough and drawer for easy cleaning.
- ★ Stainless steel burn guard protects from accidental contact.

Applications:

Two-sided grill can prepare sandwiches, chicken breasts, hamburgers or any other menu items quickly. Split-top design allows cooking different menu items on the same grill.

Quality Construction:

The rugged body is constructed of 18 gauge stainless steel. The grill is supplied with grease trough and stainless steel grease drawer. The counter balance mechanism is constructed from hardened aluminum. The 6 foot lead-in cord has a special covering that is resistant to water and oil and the wires are protected by metallic braiding. Cord comes complete with plug (see typical specifications).

Warranty:

Two-sided grill is covered by Star's one year parts and labor warranty.



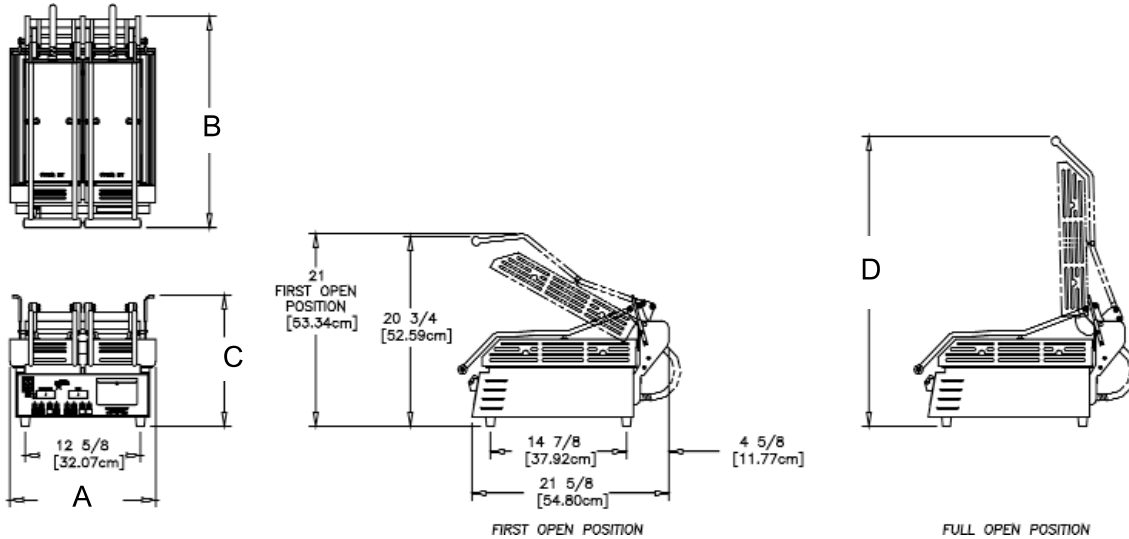
Model CG14STE

Specialty Grooved Two-Sided Grill





SPECIALTY GROOVED TWO-SIDED GRILL Model CG14STE



Model and Specifications

Model No.	Grid Surface	(A) Width Inches (cm)	(B) Depth Inches (cm)	(C) Closed Inches (cm)	(D) Open Inches (cm)	Voltage	Wattage	Amps	NEMA Plug	Approximate Weight	
										Shipping lbs. (kg)	Installed lbs. (kg)
CG14STE	Alum.	16 (40.6)	23-1/8 (58.7)	14-1/4 (36.3)	31-5/8 (80.3)	120V	2300	19.2	5-20P*	81	68
						120V	2300	19.2	5-30P**	(37.8)	(30.9)
						208/240	1725/2300	8.3/9.6	6-15P		
						230	2,100	9.2	CEE-7/VII		

* Unit must use a dedicated 20 AMP circuit.

** Canadian requirements.

Typical Specifications

Two-sided grill is constructed with a stainless steel body and aluminum grooved platens. A counter balance hinge mechanism provides easy operation of both top platens. Grilling height between platens is up to 3" with counter balance system providing 3-4 pounds of pressure to the cooking product placed on bottom platen. Metal sheathed tubular elements and adjustable non-skid feet are standard. 120V unit has six foot power cord with NEMA 5-20 rated plug and 240V has a NEMA 6-15 plug. Units approved by UL, UL Sanitation to NSF Standard 4 and UL Canada Standards. Printed in the U.S.A.

Due to periodic changes in designs, methods, procedures, policies and regulations, the specifications contained in this sheet are subject to change without notice. While Star Manufacturing exercises good faith efforts to provide information that is accurate, we are not responsible for errors or omissions in information provided or conclusions reached as a result of using the specifications. By using the information provided, the user assumes all risks in connection with such use.