

Project:	Quantity:
Model #:	Approval:


For Commercial Use Only


Standard Range SR-ER36-36EG-208 36" Electric Range with 36" Griddle Top - 208V, 3 Phase



FEATURES

- 36" electric range
- Standard oven
- 36" griddle
- Stainless steel front, back riser, and lift off shelf
- Thermostat (150°F- 550°F) controlled oven
- Range is fully serviceable from the front
- Oven interior side guides and bottom porcelain coated
- Pre-installed casters standard, legs optional
- Indicator light
- Infinite heat control knobs
- Removable crumb tray
- 208V(hardwired), 3 phrase

 cETLus

 ETL-Sanitation

USR Brands Group is a US supplier of premium quality commercial cooking, refrigeration and food preparation equipment. Our aim is simple. Produce industry-leading commercial restaurant equipment at reasonable prices, and back it all up with an easy to understand, no nonsense warranty that people can count on.

Project:	Quantity:
Model #:	Approval:

For Commercial Use Only

TECHNICAL DATA

DIMENSIONS

Exterior Dimensions	36.1"L x 30.8"D x 59.5"H
Packaging Dimensions	40"L x 37"D x 44"H
Oven Dimensions	25.8"L x 22.4"D x 13.8"H
Unit Weight	525 lb.
Shipping Weight	609 lb.

ELECTRICAL

Voltage/Phase/Wattage/Amps	208V / 3 PH / 17Kw / 25 Amps
Hertz	60
Plug Type	Hardwire(power cord is not included)

COOKING

Griddle Plate Size	24"
Griddle Plate Size Thickness	3/4"
Oven Style	Standard Oven
Oven Temperature Range	150 - 550°F
Numbers of Oven Racks	2
Oven Heat Element	5 kW

CONSTRUCTION

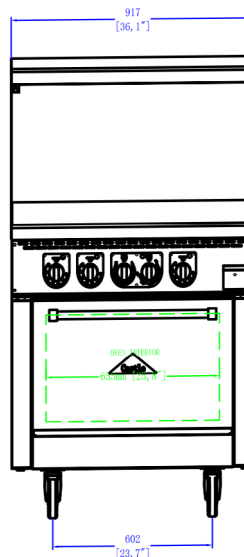
Exterior Material	Stainless Steel
Frame Structure	Welded
Mobility Wheels/Casters	(4) Qty: 2 with brakes, 2 without

TECHNICAL DRAWING

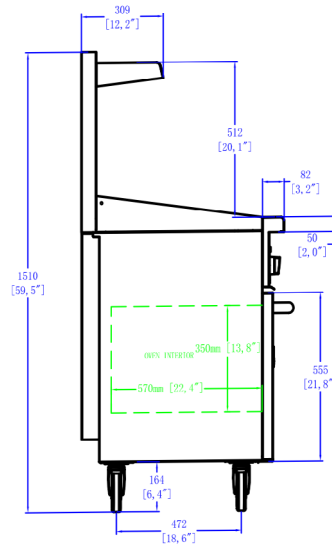
MODEL: SR-ER36-36EG-208

MFR MODEL: CP-ER36-36EG 208

Front View



Side View



Top View

