

Project:	Quantity:
Model #:	Approval:


For Commercial Use Only


Standard Range SR-ER24-240 24" Electric Range with 4 Burners and Standard Oven - 240V, 1 Phase



FEATURES

- 24" electric range
- 4 independent round plates and standard oven
- Flat round plate elements
- 9" element diameter
- Solid top
- Stainless steel front, back riser, and lift off shelf
- Thermostat (150°F- 550°F) controlled oven
- Range is fully serviceable from the front
- Oven interior side guides and bottom porcelain coated
- Pre-installed casters standard, legs optional
- Indicator light
- Infinite heat control knobs
- 240V(hardwired), single phrase

 cETLus

 ETL-Sanitation

USR Brands Group is a US supplier of premium quality commercial cooking, refrigeration and food preparation equipment. Our aim is simple. Produce industry-leading commercial restaurant equipment at reasonable prices, and back it all up with an easy to understand, no nonsense warranty that people can count on.

Project:	Quantity:
Model #:	Approval:

For Commercial Use Only

TECHNICAL DATA

DIMENSIONS

Exterior Dimensions	24"L x 30.8"D x 59"H
Packaging Dimensions	27.6"L x 37"D x 44"H
Oven Dimensions	20"L x 22.4"D x 13.8"H
Unit Weight	227 lb.
Shipping Weight	312 lb.

ELECTRICAL

Voltage/Phase/Wattage/Amps	240V / 1 PH / 13Kw / 55 Amps
Hertz	60
Plug Type	Hardwire(power cord is not included)

COOKING

Numbers of Top Burners	4
Burner Heat Element	2 kW
Burner Style	Sealed Round Plate
Burner Diameter	9"
Oven Style	Standard Oven
Oven Temperature Range	150 - 550°F
Numbers of Oven Racks	2
Oven Heat Element	5 kW

CONSTRUCTION

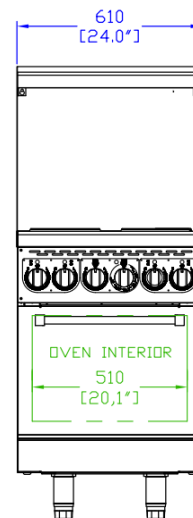
Exterior Material	Stainless Steel
Frame Structure	Welded
Mobility Wheels/Casters	(4) Qty: 2 with brakes, 2 without

TECHNICAL DRAWING

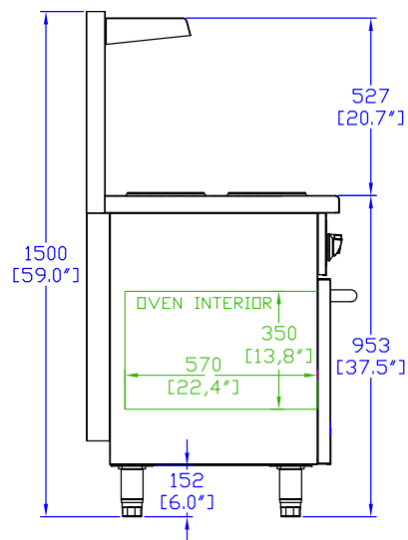
MODEL: SR-ER24-240

MFR MODEL: CP-ER24 240

Front View



Side View



Top View

