



YOU CAN TRUST

CONVECTION OVEN

CC08D



CC08D

Countertop
Convection Oven



STANDARD FEATURES

Compact and easy to use, the Turbo Professional Digital Electric Oven is a great option for stores with limited spaces and store fronts, allowing for a practical and faster operation. Ideal for coffee shops, kiosks, convenience stores and restaurants for making small batches of baked goods, snacks, and pizzas.

Its high performance through the convection system, simplified features, such as digital temperature control and timer, make it the ideal complement for your business.

- Stainless steel construction
- Comes standard with 8 baking pans 13.78" x 13.78"

- Nickel-plated carbon steel rack for 8 baking pans
- 4 mm thick tempered glass door
- 20 digitally programmable settings
- Digital timer up to 90 minutes
- Digital controlled temperature from 122F to 482F
- Maximum energy consumption 2,456 Kw/h
- 2500 Watts shielded spiral heating element
- 30 Amp overload switch

ILLUSTRATIVE PHOTO, ACTUAL PRODUCTS AND ACCESSORIES ARE SUBJECT TO CHANGE WITHOUT NOTICE.



Skyfood Equipment LLC
175 SW 7th Street, Ste 2416
Miami, FL 33130

Toll Free:
1-800-503-7534
sales@skyfood.us

www.skyfood.us



Follow us to keep up to date with the latest news and offers

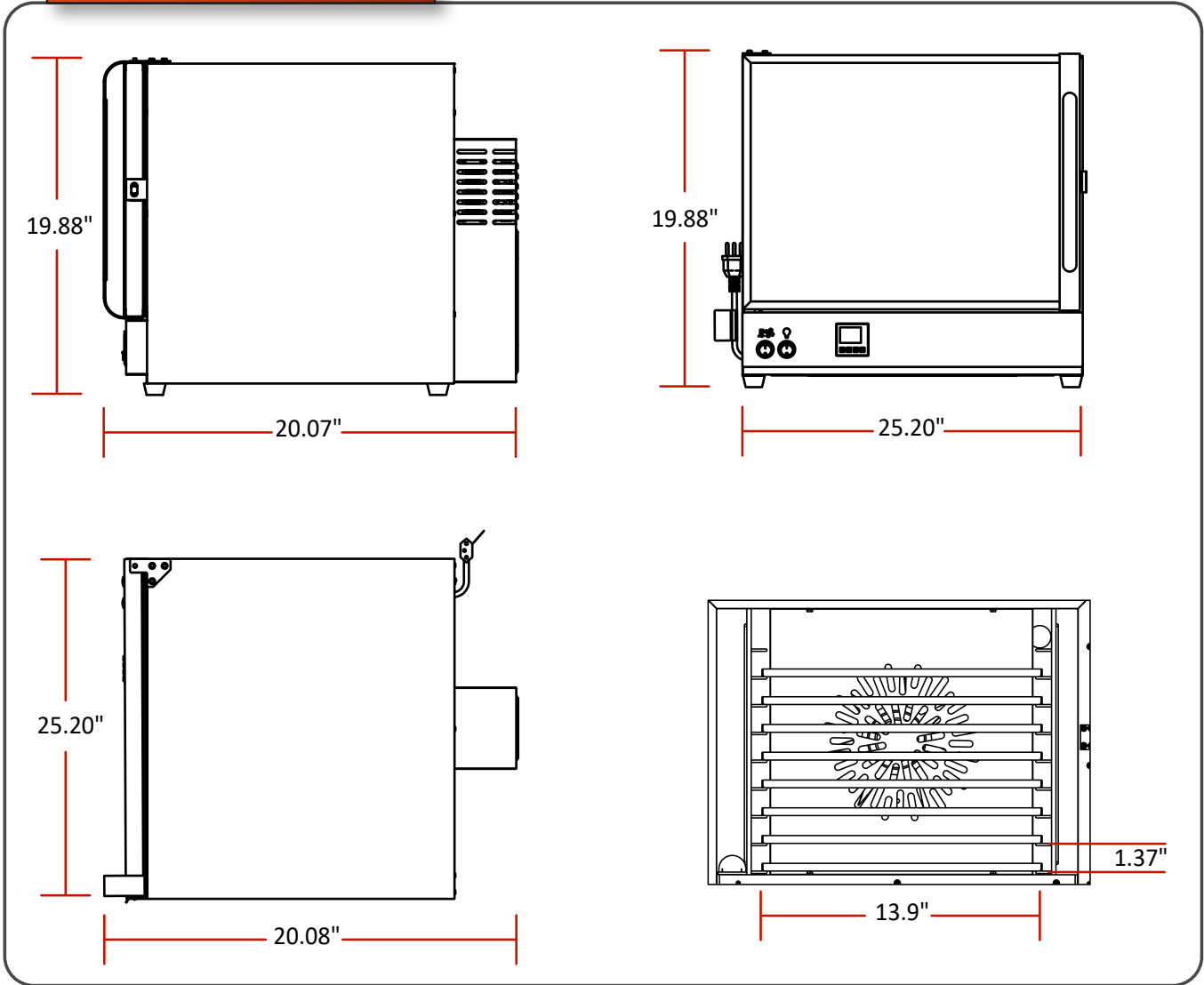
/SkyfoodEquipment

/SkyfoodEquipment

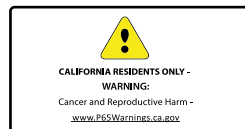
/SkyfoodEquipment



DIMENSIONS



**WARRANTY 01 YEAR PARTS AND LABOR
VALID IN THE CONTINENTAL UNITED STATES.**



Item	Electrical	Power Rating	Dimensions (W x D x H)	Shipping Dimensions (W x D x H)	Weight (Net x Ship)	Capacity	PLUG
CCO8D	120V/50Hz	2500W	25.20" x 20" x 19.88"	23.37" x 21.85" x 24"	48 lb x 53 lb	2 CU.FT.	NEMA 5-15P

ILLUSTRATIVE PHOTO, ACTUAL PRODUCTS AND ACCESSORIES ARE SUBJECT TO CHANGE WITHOUT NOTICE.



Skyfood Equipment LLC
175 SW 7th Street, Ste 2416
Miami, FL 33130

Toll Free:
1-800-503-7534
sales@skyfood.us

www.skyfood.us

