



PROJECT NAME: _____

LOCATION: _____

ITEM: _____ QTY: _____

MODEL: _____

SRS SERIES SALAMANDERS

Sierra's SRS series are commercial infrared salamander broilers with gas power of 20,000 BTU (SRS-24) or 40,000 BTU (SRS-36). These units have stainless steel construction making the broilers durable while preventing corrosion. Each burner is individually controlled, and has ignition by standing pilot. Comes equipped with a chrome plated rack with four adjustable positions.



SRS-36

The included wall mount brackets allow positioning the salamander on a wall for easy access and to save counter space.



4" stainless steel counter-top legs or range mount kit are optional.

STANDARD FEATURES

- Fully stainless steel exterior
- Gas pressure regulator
- Two steel wire mesh infra-red burners, each individually controlled (SRS-36)
- Ignition by standing pilot for each burner
- Comes with one nickel chrome plated rack
- Rack has four adjustable positions
- Wall mount brackets included
- Rack carriage assembly rolls out for ease of loading and unloading
- Heavy duty springs counter balance the assembly
- Full width grease deflector channels hot drippings to a large capacity drip pan
- Drip pan and rack carriage assembly are easily removed for cleaning
- The SRS is shipped from the factory, ready for natural gas installation. An LP conversion kit is included with each unit



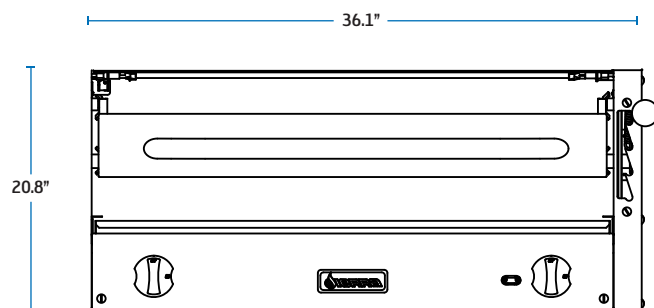
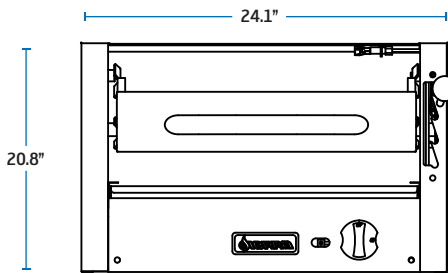
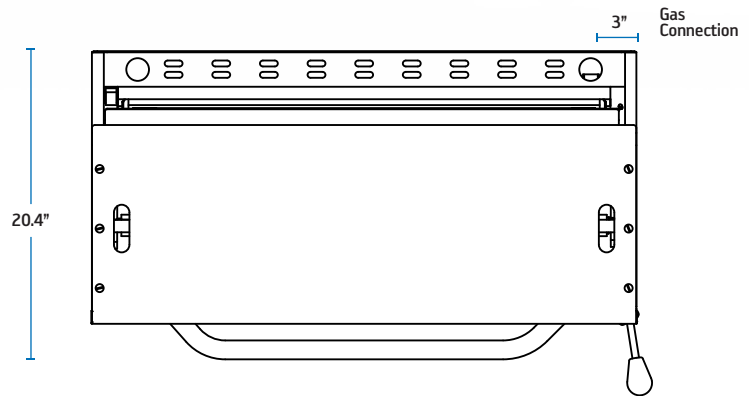
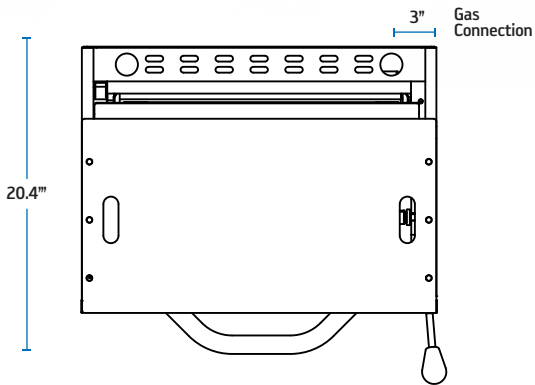
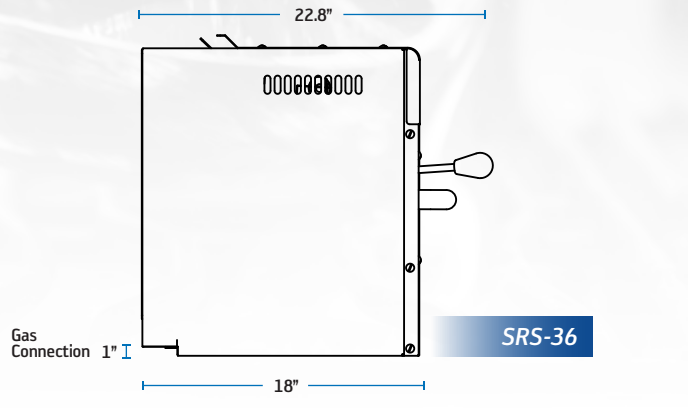
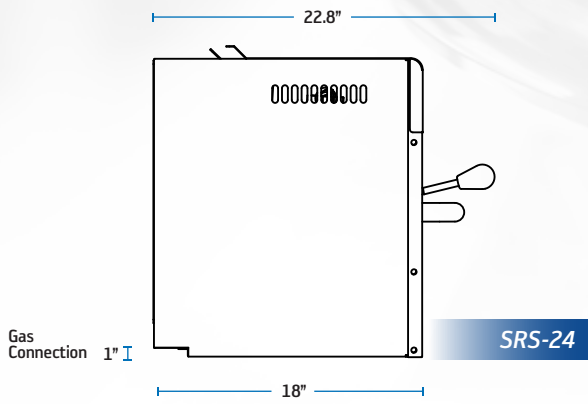
Tel.: 786.600.4687 / Toll Free: 844.218.8477
Fax: 786.661.4100



Tel.: 514.737.9701 / Toll Free: 888.275.4538
Fax: 514.342.3854 / Toll Free: 877.453.8832
sales@mvpgroupcorp.com



www.mvpgroupcorp.com



SPECIFICATIONS

MODEL NUMBER	EXTERNAL DIMENSIONS (WxDxH)	NUMBER OF BURNERS	BTU'S PER BURNER	TOTAL BTU	NET WEIGHT	SHIPPING WEIGHT
SRS-24	24.1" X 18" X 20.8"	1	20,000	20,000	105 LBS	115 LBS
SRS-36	36.1" X 18" X 20.8"	2	20,000	40,000	160 LBS	175 LBS

Warranty: 12 months parts & labor.

Gas Connection: 3/4" NPT on the right hand rear of the appliance. The pressure regulator (supplied) is to be connected here by the installer.

Gas pressure: 5" W.C. - Natural Gas | 10" W.C. - Propane

Combustible Clearances: For use in non-combustible locations | Non-combustible Clearances: 0 inches sides, 0 inches rear
Specify type of gas and altitude, if over 2,000 feet, when ordering.

SIERRA RANGE is a registered trademark of **MVP Group**.

Due to continuing product development, to ensure best possible performance, the specifications are subject to change without prior notice.

