



PROJECT NAME: \_\_\_\_\_

LOCATION: \_\_\_\_\_

ITEM: \_\_\_\_\_ QTY: \_\_\_\_\_

MODEL: \_\_\_\_\_

# SRHP SERIES COUNTERTOP HOT PLATES

With its all-stainless steel construction, the SRHP Series has a powerful capacity of 30,000 BTU per burner. The hotplates feature a modern look and design, form and function fit for the most demanding kitchens at an affordable price. All with the ease of modular customization.

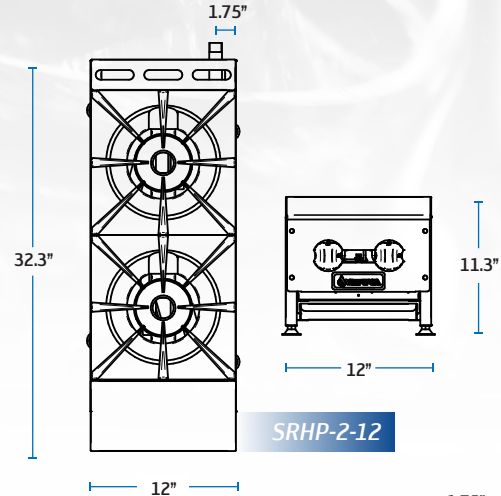
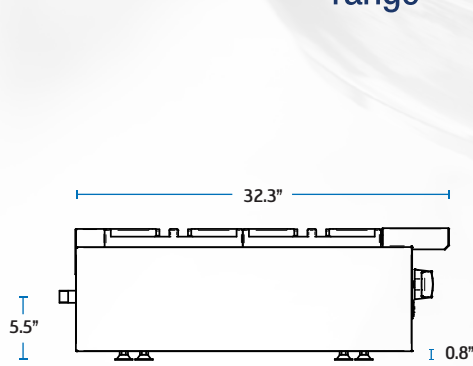
SRHP-6-36



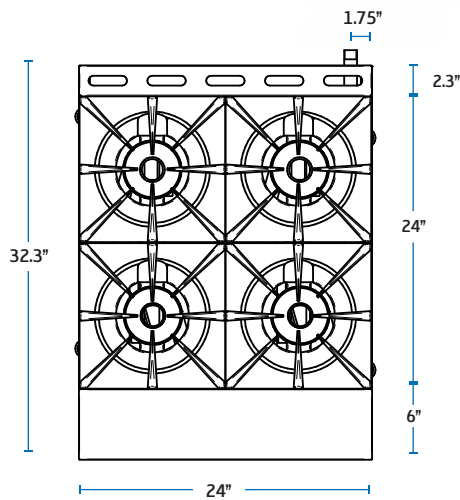
\*Stainless steel stand with adjustable legs is optional

## STANDARD FEATURES

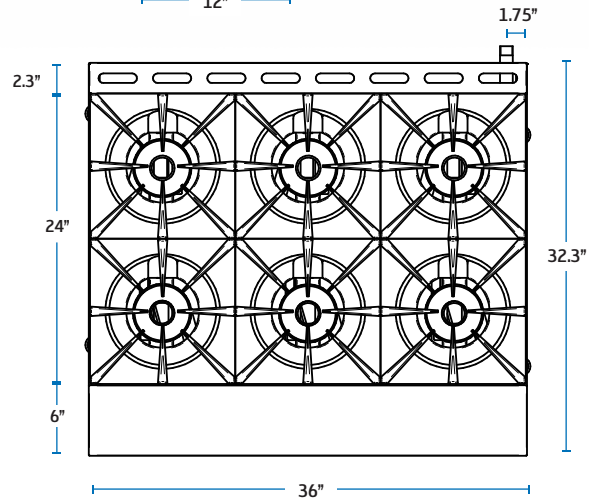
- ☐ All non-ferrous stainless steel construction: interior, exterior, front, sides, landing ledge and valve controls
- ☐ Heavy gauge welded front frame
- ☐ Heavy duty 12" x 12" cast iron top grates, removable for easy cleaning, industry standard size
- ☐ Compact design for counter top use
- ☐ Removable Crumb tray for quick and easy cleaning
- ☐ One stainless steel non-clog standing pilot for each burner for instant ignition
- ☐ Pilot shield protects pilot from spills and grease
- ☐ Lift-off top piece cast iron burners rated at 30,000 BTU/Hr. each one
- ☐ Sanitary, fully ergonomic edges
- ☐ Features a full 6" landing edge for increased plate stability
- ☐ Adjustable stainless steel feet
- ☐ The SRHP is shipped from the factory, ready for natural gas installation. An LP conversion kit is included with each unit



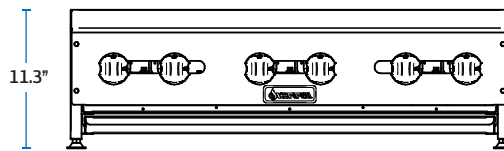
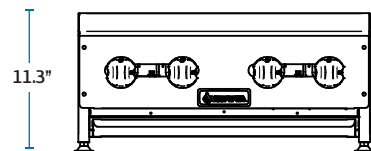
SRHP-2-12



SRHP-4-24



SRHP-6-36



## SPECIFICATIONS

MODEL NUMBER	EXTERNAL DIMENSIONS (WxDxH)	NUMBER OF BURNERS	BTU'S PER BURNER	TOTAL BTU	NET WEIGHT	SHIPPING WEIGHT
SRHP-2-12	12" X 32.3" X 11.3"	2	30,000	60,000	69 LBS	93 LBS
SRHP-4-24	24" X 32.3" X 11.3"	4	30,000	120,000	121 LBS	152 LBS
SRHP-6-36	36" X 32.3" X 11.3"	6	30,000	180,000	170 LBS	214 LBS

**Warranty:** 12 months parts & labor.

**Gas Connection:** 3/4" NPT on the right hand rear of the appliance. The pressure regulator (supplied) is to be connected here by the installer.

**Gas pressure:** 5" W.C. - Natural Gas | 10" W.C. - Propane

**Combustible Clearances:** For use in non-combustible locations | Non-combustible Clearances: 0 inches sides, 0 inches rear  
Specify type of gas and altitude, if over 2,000 feet, when ordering.

**SIERRA RANGE** is a registered trademark of **MVP Group**.

Due to continuing product development, to ensure best possible performance, the specifications are subject to change without prior notice.

