



PROJECT NAME: _____

LOCATION: _____

ITEM: _____ QTY: _____

MODEL: _____



C1418E ELECTRIC CONVEYOR OVEN WITH 14" CONVEYOR BELT

SIERRA Conveyor Oven with 14" Conveyor Belt is designed to provide consistent heat with infrared heaters. Equipped with a variable speed control and adjustable top and bottom heat controls. Body is made of attractive stainless steel. Excellent for bread, bagels and pizzas. Ideal for large kitchens, diners and cafes.

STANDARD FEATURES

- 🔥 Stainless steel body with 18.5" width
- 🔥 Stainless steel conveyor oven belt
- 🔥 Detachable tray
- 🔥 41" Belt length (with detachable tray)
- 🔥 Removable drip pan
- 🔥 On/Off control



TEMPERATURE SETTINGS AND TIME

Setting	Temperature (Top and bottom heat)	Time (minutes:seconds)
Dial 1	158-194°F / 70-90°C	10:05
Dial 2	194-230°F / 90-110°C	8:50
Dial 3	266-284°F / 130-140°C	7:45
Dial 4	284-311°F / 140-155°C	6:35
Dial 5	311-356°F / 155-180°C	5:45
Dial 6	365-401°F / 185-205°C	5:05
Dial 7	401-428°F / 205-220°C	4:20
Dial 8	464-500°F / 240-260°C	3:30
Dial 9	482-500°F / 250-260°C	1:45
Dial 10	482-500°F / 250-260°C	1:20



www.mvpgroupcorp.com

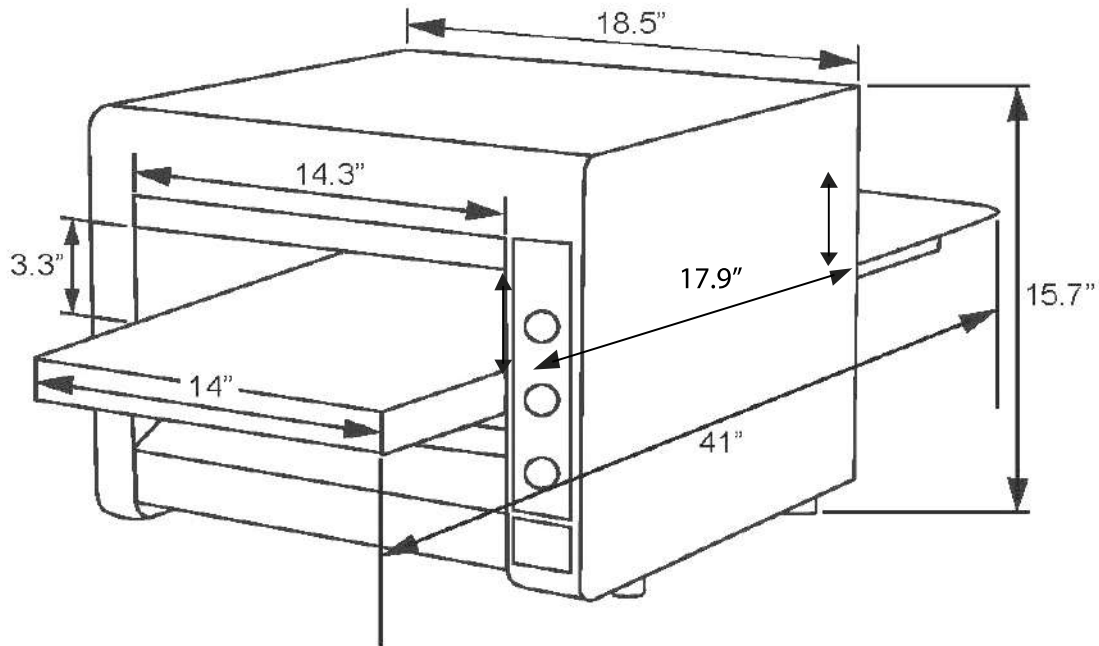


3560 NW 56th Street
Fort Lauderdale, FL 33309
Tel.: 786.600.4687 / Toll Free: 844.218.8477
Fax.: 786.661.4100



5659 Royalmount Avenue
Montreal, Qc, Canada H4P 2P9
Tel.: 514.737.9701 / Toll Free: 888.275.4538
Fax.: 514.342.3854 / Toll Free: 877.453.8832

sales@mvpgroupcorp.com



RECOMMENDED COOKING TIMES

Product	Top Heat	Bottom Heat	Belt Speed
12" Blanched Pizza	300°F/149°C	400°F/204.4°C	6 mins.
Meat & cheese sandwich	450°F/232°C	300°F/149°C	4 mins.
Meatball	500°F/260°C	350°F/177°C	2 mins.
Bagel (Open)	500°F/260°C	400°F/204.4°C	2 mins.
1 oz cookies	200°F/93°C	250°F/121°C	10 mins.
Garlic Bread (Lightly seasoned)	500°F/260°C	500°F/260°C	2 mins.
Fish (Sizzle platter)	400°F/204.4°C	500°F/260°C	6 mins.

SPECIFICATIONS

Model	Amps	Power	Belt Width	Opening (H x W)	Capacity (Blanched Pizzas)	Electrical	Temperature Range	Dimension (D x W x H)
C1418E	15	3.6 Kw	14" (355mm)	3.3" x 14.3" (83 x 363 mm)	Sixteen - 14" pizzas /hr Nineteen - 12" pizzas /hr Twenty-five - 9" pizzas /hr	240V /60 Hz/1	158 - 500°F (70 - 260°C)	41" x 18.5" x 15.7" (1050 x 470 x 400 mm)

Interior Dimension (L x W x H)	Weight	Gross (Weight)	Gross Dimension (D x W x H)
17.9" x 14.3" x 3.3" (454.7 x 363 x 84 mm)	53 lbs (24 kg)	61 lbs (27.7 kg)	36.5" x 26" x 19" (927 x 660 x 482.6 mm)

Warranty: One year limited.
SIERRA is a registered trademarks of **MVP Group**.
 Due to continuing product development, to ensure best possible performance, the specifications are subject to change without prior notice.

