



PROJECT _____

ITEM NO: _____

QUANTITY: _____

Stainless Steel Work Tables

With Undershelf And Backsplash



NSF Certified

FEATURES & CONSTRUCTION:

- Top is fabricated with 1-1/2" rounded front edge, flat edge on both ends and 45° slanted backsplash.
- Table front edge formed with hemmed edges to provide extra rigidity and safe to touched finished.
- Reinforced table top with sound deadened hatch channels.
- Adjustable undershelf secure to leg aluminum die cast clamp.
- All exposed welded areas smooth polished to brush finish sanitary #4.
- Welded leg socket for removable table legs.
- All tables shipped K.D. and easily assembled.

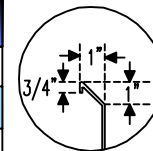


Galvanized Steel Undershelf Series

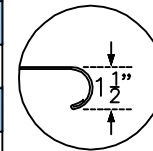
Stainless Steel Undershelf Series

W	24"	30"
L	MODEL NO.	
24"	SMTB-2424G	
30"	SMTB-2430G	SMTB-3030G
36"	SMTB-2436G	SMTB-3036G
48"	SMTB-2448G	SMTB-3048G
60"	SMTB-2460G	SMTB-3060G
72"	SMTB-2472G	SMTB-3072G
84"	SMTB-2484G	SMTB-3084G
96"	SMTB-2496G	SMTB-3096G
108"	SMTB-24108G	SMTB-30108G
120"	SMTB-24120G	SMTB-30120G

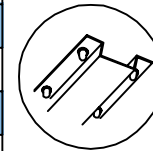
W	24"	30"
L	MODEL NO.	
24"	SMTB-2424S	
30"	SMTB-2430S	SMTB-3030S
36"	SMTB-2436S	SMTB-3036S
48"	SMTB-2448S	SMTB-3048S
60"	SMTB-2460S	SMTB-3060S
72"	SMTB-2472S	SMTB-3072S
84"	SMTB-2484S	SMTB-3084S
96"	SMTB-2496S	SMTB-3096S
108"	SMTB-24108S	SMTB-30108S
120"	SMTB-24120S	SMTB-30120S



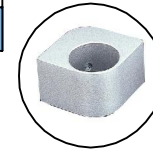
45° Slanted Backsplash



Rolled Rim Edge Front And Rear Reinforced with Hemmed Edge



Hatch Channel Supported



Aluminum Die Cast Clamp For Adjustable Under Shelf



1" Adjustable Bullet Feet

MATERIAL:

Top: 18 Ga. Stainless Steel - 400 series
 Shelf: 18 Ga. Galvanized Steel
 Leg: 1 5/8" Galvanized Steel Tubing,
 Galvanized Steel Leg Socket
 1" Adjustable Plastic Bullet Feet.

MATERIAL:

Top: 18 Ga. Stainless Steel - 400 series
 Shelf: 18 Ga. Stainless Steel - 400 series
 Leg: 1 5/8" Stainless Steel Tubing,
 Stainless Steel Leg Socket
 1" Adjustable Stainless Steel
 Bullet Feet.



SAPPHIRE MANUFACTURING
 Tel: 718-543-2111
 Fax: 718-543-2121

info@sapphiremanufacturing.com
 WWW.SAPPHIREMANUFACTURING.COM

Rev. 11/16



PROJECT

ITEM NO:

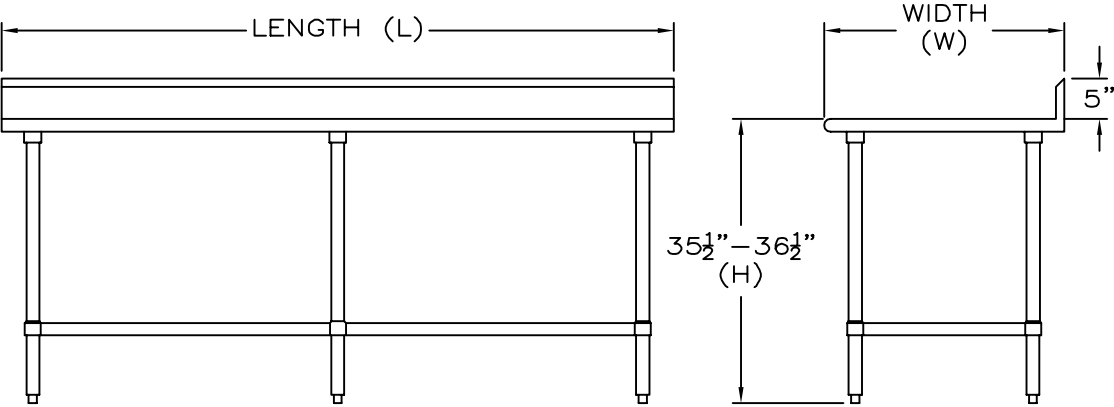
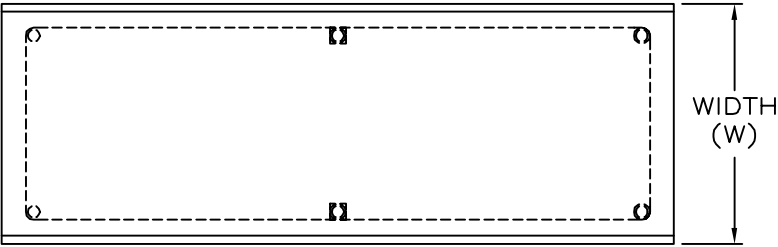
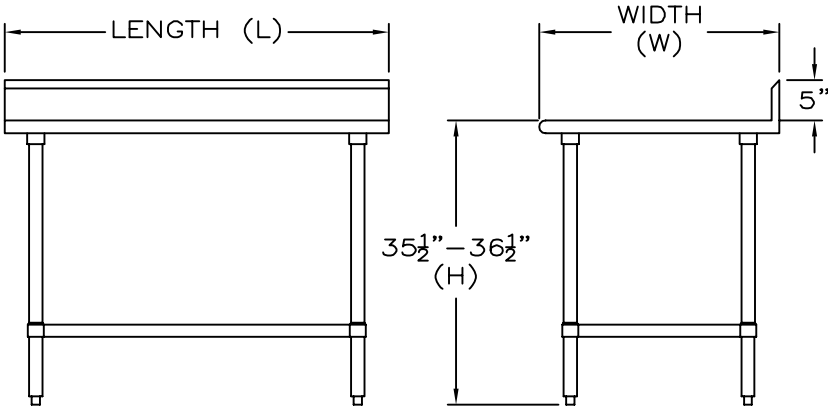
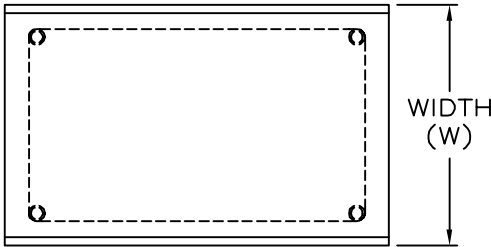
QUANTITY:

Stainless Steel Work Tables

With Undershef And Backsplash



NSF Certified



Specifications subject to change without notice. All dimensions are typical (Tolerance 1/2").



SAPPHIRE MANUFACTURING
Tel: 718-543-2111
Fax: 718-543-2121

info@sapphiremanufacturing.com
WWW.SAPPHIREMANUFACTURING.COM

Rev. 11/16