



PROJECT _____

ITEM NO: _____

QUANTITY: _____

Stainless Steel Work Tables

Stainless Steel Undershelf Series



NSF Certified

FEATURES & CONSTRUCTION:

- Top is fabricated with 1-1/2" rounded edge on both working sides and flat edge on both ends.
- Table top edges formed with hemmed edges to provide extra rigidity and safe to touched finished.
- Reinforced table top with sound deadened hatch channels.
- Adjustable undershelf secure to leg with aluminum die cast clamp.
- All exposed welded areas smooth polished to brush finish sanitary #4.
- Welded leg socket for removable table legs.
- All tables shipped K.D. and easily assembled.

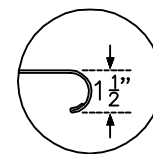


MATERIAL:

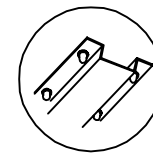
- TOP: 18 Gauge Stainless Steel - 400 series
 SHELF: 18 Gauge Stainless Steel - 400 series
 LEG: 1 5/8" Stainless Steel Tubing, Stainless Steel Leg Socket
 1" Adjustable Stainless Steel Bullet Feet

Stainless Steel Undershelf Series

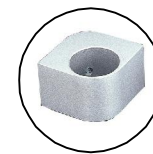
W	14"	18"	24"	30"	36"
L	MODEL NO.				
24"	SMT-1424S	SMT-1824S	SMT-2424S	SMT-3024S	
30"	SMT-1430S	SMT-1830S	SMT-2430S	SMT-3030S	
36"	SMT-1436S	SMT-1836S	SMT-2436S	SMT-3036S	SMT-3636S
48"	SMT-1448S	SMT-1848S	SMT-2448S	SMT-3048S	SMT-3648S
60"	SMT-1460S	SMT-1860S	SMT-2460S	SMT-3060S	SMT-3660S
72"	SMT-1472S	SMT-1872S	SMT-2472S	SMT-3072S	SMT-3672S
84"	SMT-1484S	SMT-1884S	SMT-2484S	SMT-3084S	SMT-3684S
96"	SMT-1496S	SMT-1896S	SMT-2496S	SMT-3096S	SMT-3696S
108"	SMT-14108S	SMT-18108S	SMT-24108S	SMT-30108S	SMT-36108S
120"	SMT-14120S	SMT-18120S	SMT-24120S	SMT-30120S	SMT-36120S



Rolled Rim Edge
Front And Rear
Reinforced with
Hemmed Edge



Hatch Channel
Supported



Aluminum Die Cast
Clamp For Adjustable
Under Shelf



Stainless Steel
Bullet Feet
1" Adjustable



SAPPHIRE MANUFACTURING
Tel: 718-543-2111
Fax: 718-543-2121

info@sapphiremanufacturing.com
WWW.SAPPHIREMANUFACTURING.COM

Rev. 11/16



PROJECT

ITEM NO: _____

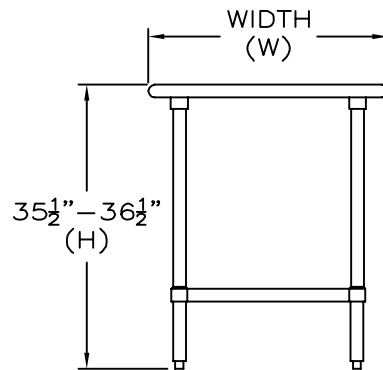
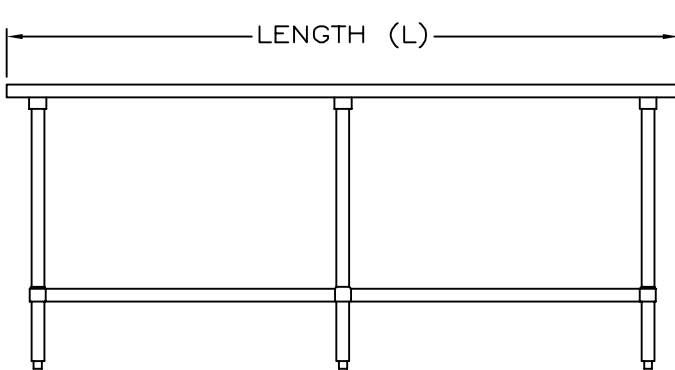
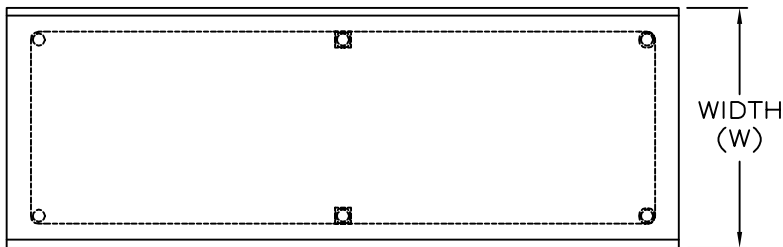
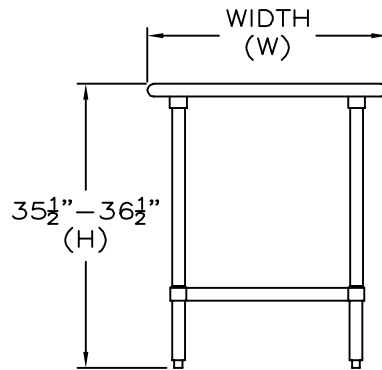
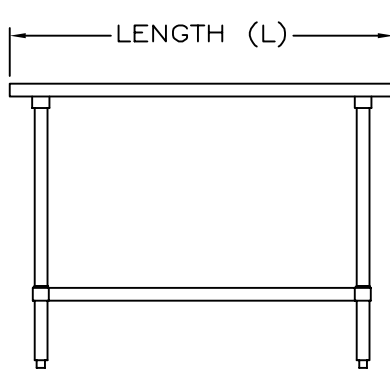
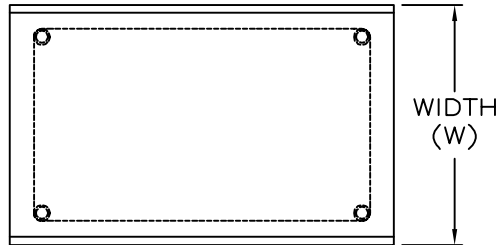
QUANTITY: _____

Stainless Steel Work Tables

Stainless Steel Undershelf Series



NSF Certified



Specifications subject to change without notice. All dimensions are typical (Tolerance 1/2").



SAPPHIRE MANUFACTURING
Tel: 718-543-2111
Fax: 718-543-2121

info@sapphiremanufacturing.com
WWW.SAPPHIREMANUFACTURING.COM

Rev. 11/16