



PROJECT _____

ITEM NO: _____

QUANTITY: _____

4 Compartment Bar Sink

FEATURES & CONSTRUCTION:

- Top is fabricated with 1" flat front edge with 2"x4" high flat top backsplash with two sets of 4" center faucet holes.
- Bowl drains offset to corner to allow for easy use of brush type glasswasher.
- All exposed welded areas smooth polished to brush finish sanitary #4.
- Welded Stainless Steel leg socket with two point leg fastening.
- Adjustable galvanized steel cross-bars with aluminum die cast fittings to secure cross-bars to legs for added stability.
- All units shipped K.D., but easily assembled.

MATERIAL:

- Top & Bowls: 20 Ga. stainless steel - 304
- Apron: 20 Ga. stainless steel - 304
- Leg: 1-5/8" galvanized steel
- Cross-bar: 1-1/4" galvanized steel
- Bullet Feet: 1" adjustable plastic bullet feet

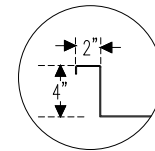
INCLUDED ACCESSORIES:

Two 4" center splash mount 12" swing spout faucets (Tap item # TWMF-412) with a two-year warranty, (4) 1-1/2" basket drains, and overflow tube kit.

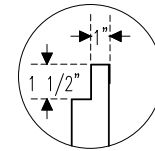
MODEL#	UNIT SIZE			BOWL SIZE			DRAINBOARD	
	L	D	H	A	B	C	LEFT	RIGHT
SMBS-4D	72"	18 3/4"	32"	10"	14"	10"	13	13



NSF STD.2
Certified



2"x4" high
Backsplash



Square Edge
Front



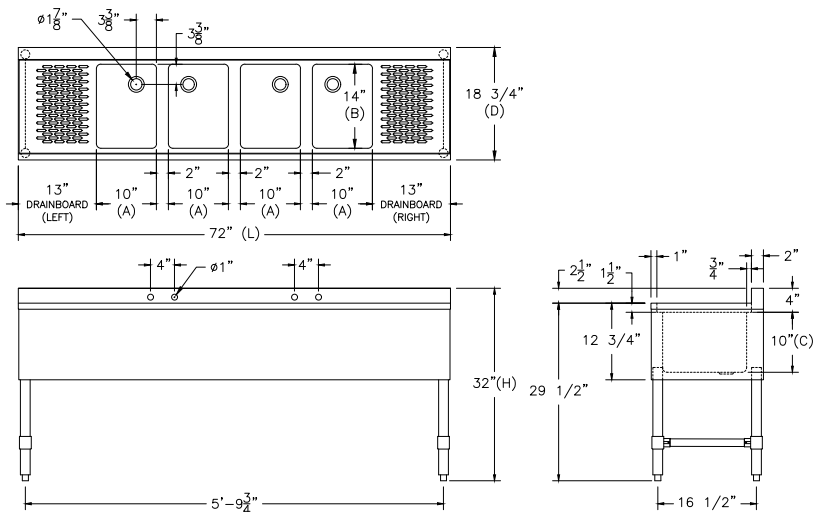
Aluminum Die
Cast Fitting For
Adj. Cross-Bar



1-1/2" Basket
Drain



1" Adjustable
Plastic Bullet
Feet



Specifications subject to change without notice.

All dimensions are typical (Tolerance 1/2").



Rev. 12/20

SAPPHIRE MANUFACTURING
Tel: 718-543-2111
Fax: 718-543-2121

info@sapphiremanufacturing.com
WWW.SAPPHIREMANUFACTURING.COM