



PROJECT

ITEM NO:

QUANTITY:

3 Compartment Bar Sinks

FEATURES & CONSTRUCTION:

- Top is fabricated with 1" flat front edge with 2"x4" high flat top backsplash with one set of 4" center faucet holes.
- Bowl drains offset to corner to allow for easy use of brush type glasswasher.
- All exposed welded areas smooth polished to brush finish sanitary #4.
- Welded Stainless Steel leg socket with two point leg fastening.
- Adjustable galvanized steel cross-bars with aluminum die cast fittings to secure cross-bars to legs for added stability.
- All units shipped K.D., but easily assembled.

MATERIAL:

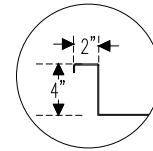
Top & Bowls: 20 Ga. stainless steel - 304
 Apron: 20 Ga. stainless steel - 304
 Leg: 1-5/8" galvanized steel
 Cross-bar: 1-1/4" galvanized steel
 Bullet Feet: 1" adjustable plastic bullet feet

INCLUDED ACCESSORIES:

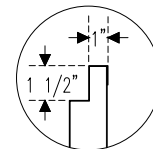
One 4" center splash mount 12" swing spout faucet (Tap item # TWMF-412) with a two-year warranty, (3) 1-1/2" basket drains, and overflow tube kit.



NSF STD.2
 Certified



2"x4" high
 Backsplash



Square Edge
 Front



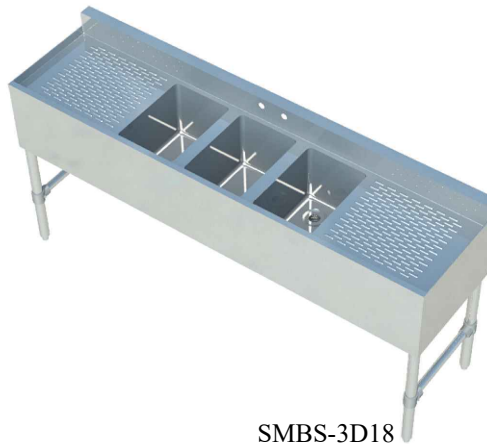
Aluminum Die
 Cast Fitting For
 Adj. Cross-Bar



1-1/2" Basket
 Drain



1" Adjustable
 Plastic Bullet
 Feet



MODEL#	UNIT SIZE			BOWL SIZE			DRAINBOARD	
	L	D	H	A	B	C	LEFT	RIGHT
SMBS-3	26"	18 3/4"	32"	10"	14"	10"	0	0
SMBS-3L	48"						12	0
SMBS-3R	48"						0	12
SMBS-3D	60"						13	13
SMBS-3D18	72"						19	19



Rev. 12/20

SAPPHIRE MANUFACTURING
 Tel: 718-543-2111
 Fax: 718-543-2121

info@sapphiremanufacturing.com
 WWW.SAPPHIREMANUFACTURING.COM



PROJECT _____

ITEM NO: _____

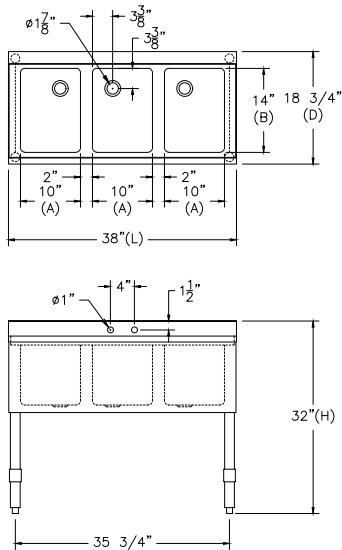
QUANTITY: _____

3 Compartment Bar Sinks

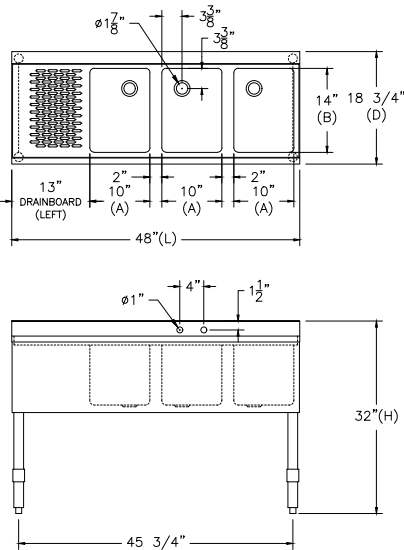


NSF STD.2
Certified

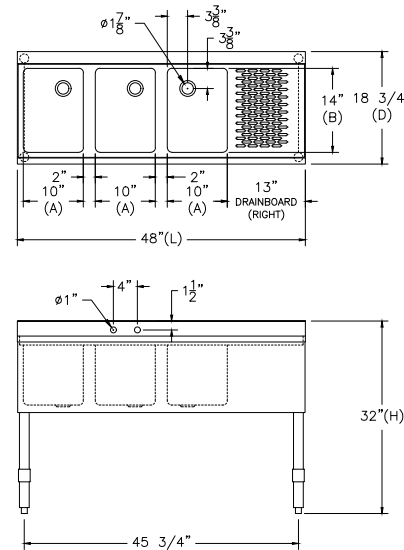
NO DRAIN BOARD
SMBS-3



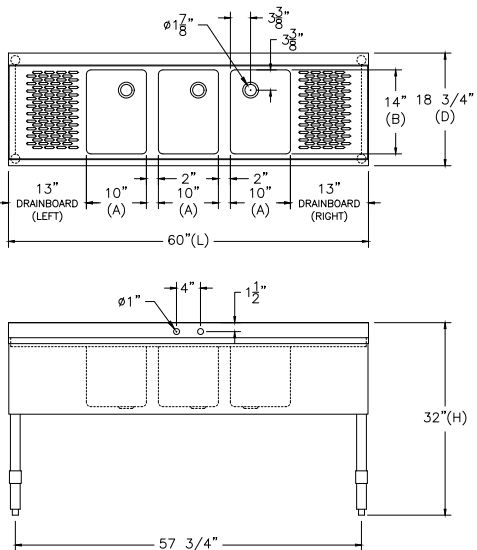
DRAIN BOARD: LEFT
SMBS-3L



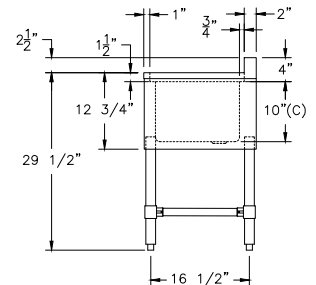
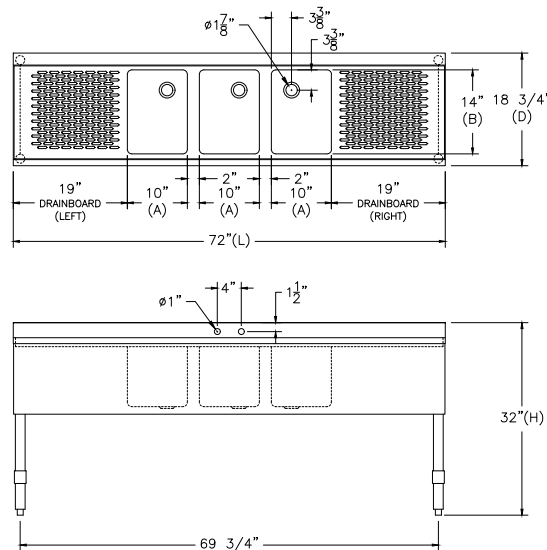
DRAIN BOARD: RIGHT
SMBS-3R



DRAIN BOARD: L & R
SMBS-3D



DRAIN BOARD: L & R
SMBS-3D18



Common End View

Specifications subject to change without notice. All dimensions are typical (Tolerance 1/2").



Rev. 12/20

SAPPHIRE MANUFACTURING
Tel: 718-543-2111
Fax: 718-543-2121

info@sapphiremanufacturing.com
WWW.SAPPHIREMANUFACTURING.COM