

Project:	Quantity:
Model #:	Approval:

For Commercial Use Only

ENER6B36TJ-L 36" Liquid Propane 6 Burner Commercial Step-Up Range with Oven



FEATURES

- 30,000 BTU per top burner
- 12" x 12" cast iron grates
- Standing pilot light for individual burners
- 30,000 BTU convection oven
- Oven thermostat adjusts from 200F - 500F
- 26.8" x 25.7" x 13" oven cavity
- Stainless steel front, back riser, and lift off shelf
- "Cool-to-the-touch" front s/s deck
- Easy to remove full width crumb tray
- 2 chrome racks included
- Range is fully serviceable from the front
- LP conversion kit included

- cCSAus

- CSA Sanitation



USR Brands is a US supplier of premium quality commercial cooking, refrigeration and food preparation equipment. Our aim is simple. Produce industry-leading commercial restaurant equipment at reasonable prices, and back it all up with an easy to understand, no nonsense warranty that people can count on.

Project:	Quantity:
Model #:	Approval:

For Commercial Use Only

TECHNICAL DATA

DIMENSIONS

Exterior Dimensions	36"L x 32.73"D x 60.36"H
Packaging Dimensions	40.6"L x 40.6"D x 37.3"H
Oven Dimensions	26.8"L x 25.7"D x 13"H
Unit Weight	396 lb.
Shipping Weight	448 lb.

COOKING

Numbers of Burners	6
Burner BTU	30,000
Numbers of Ovens	1
Numbers of Oven Racks	2
Oven BTU	30,000
Oven Style	Standard Oven
Max. Oven Temperature	550°F
Total BTU	210,000
Control Type	Maunal
Gas Inlet Size	3/4"
Power Type	Liquid Propane
Liquid Propane conversion kit included. Range must be converted from NG to LP on premise by a professional.	

CONSTRUCTION

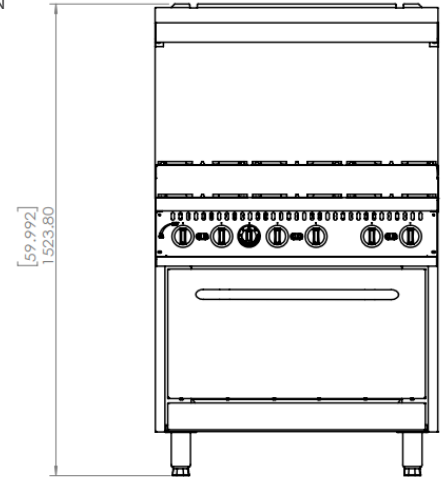
Exterior Material	Stainless Steel
Frame Structure	Welded
Pull Out Tray	"Yes"

DIAGRAM

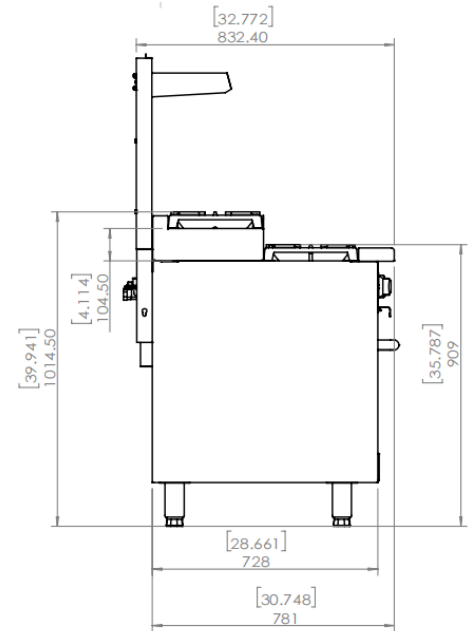
MODEL: ENER6B36TJ-L

MFR MODEL: ENER6B36TJ-N

Front View



Side View



Top View

