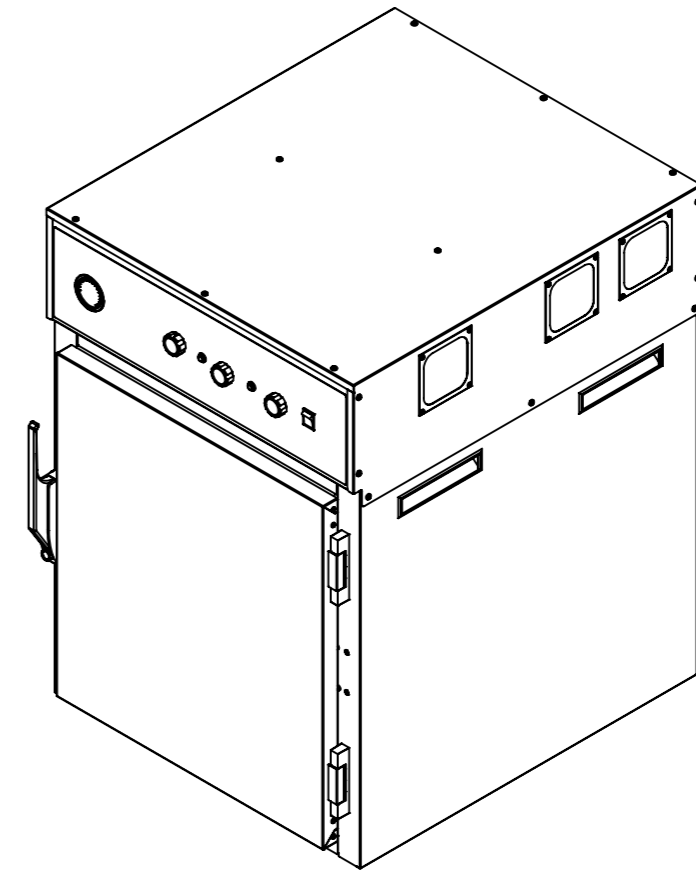


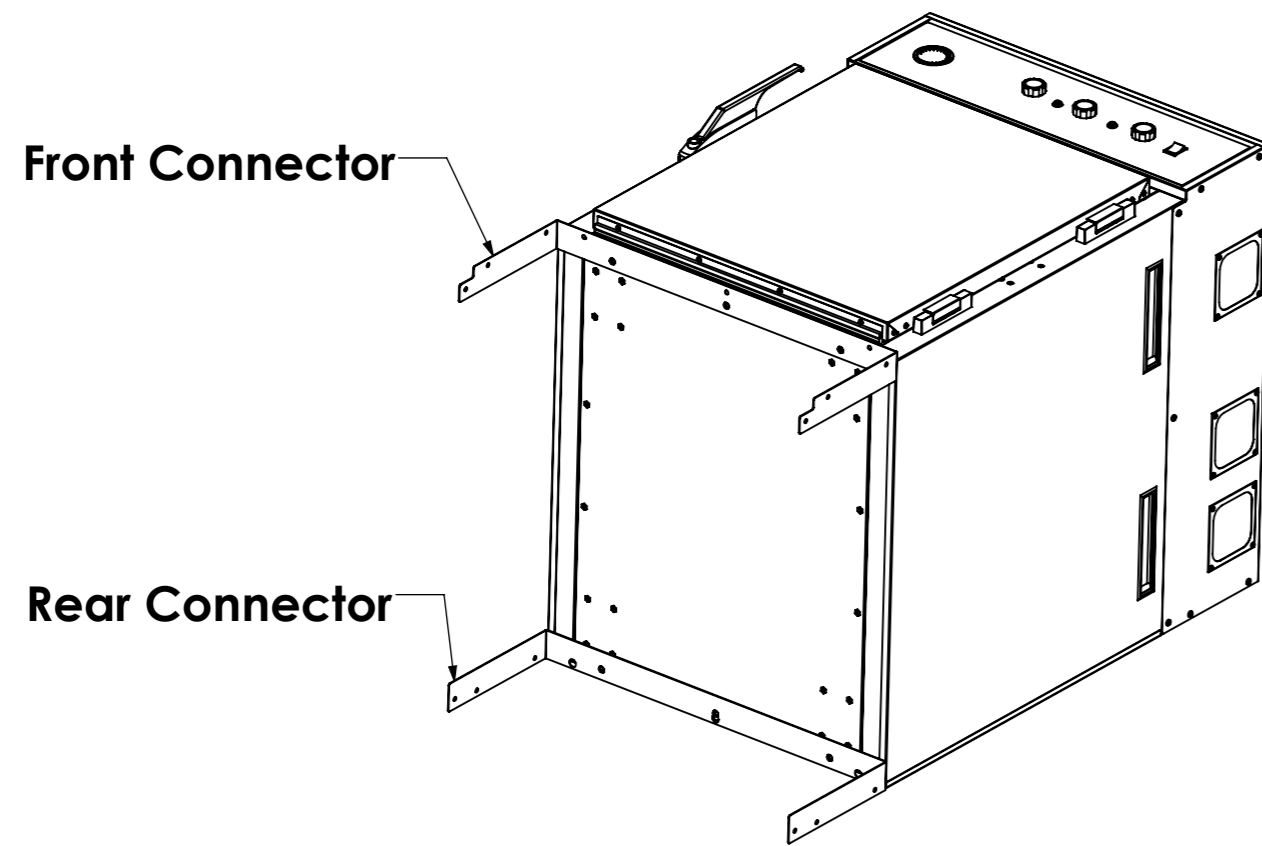
Remove 15 pcs
M5 Screws



(No Casters)

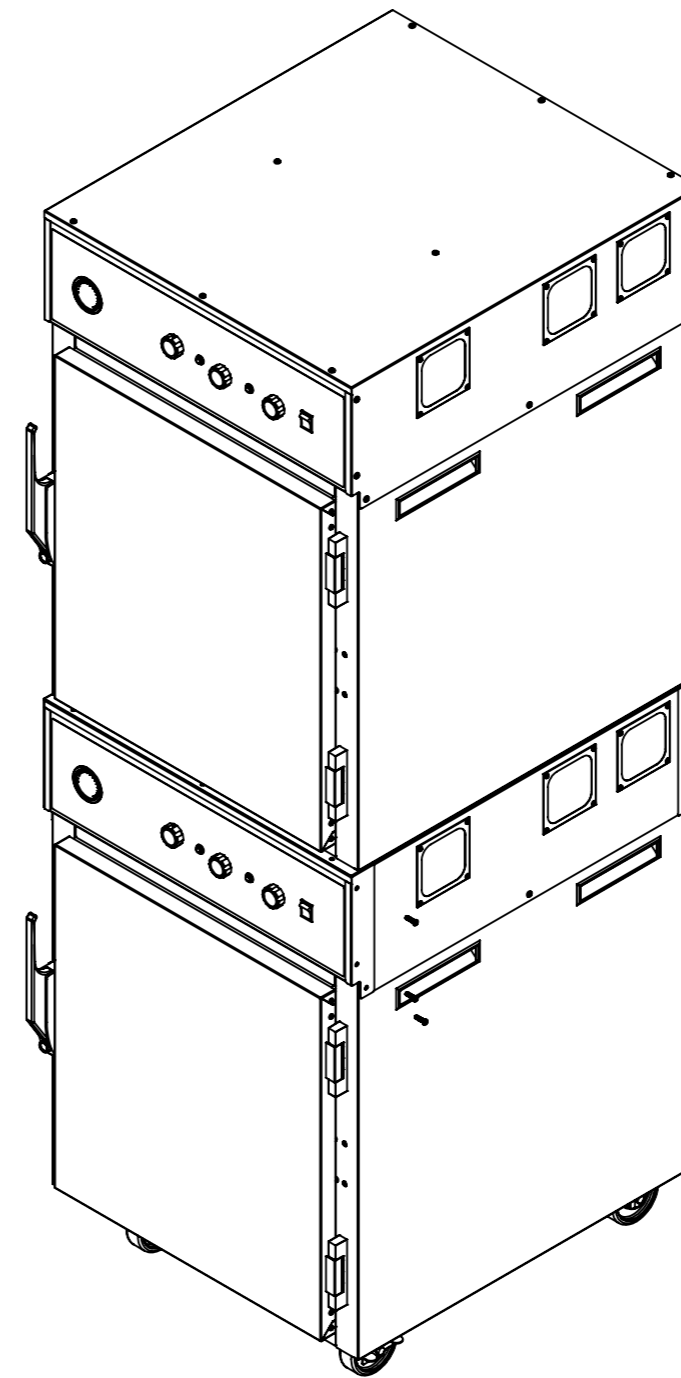
STEP 1:
REMOVE ALL M5 SCREWS AS SHOW FROM LOWER CABINET,
TOTAL IS 15 SCREWS.

STEP 2:
REMOVE CASTERS FROM THE CABINET
WHICH WILL STACK ON.



Attention the direction of Bracket

**STEP 3:
INSTALL TWO BRACKETS TO BOTTOM OF CABINET
THAT WILL STACK ON, TOTAL IS 6 SCREWS.**



**STEP 4:
PUT UPPER CABINET TO TOP OF LOWER CABINET,
TIGHTEN SCREWS TO SIDES OF LOWER CABINET.**

