

USER MANUAL

ENCLOSED BASE WORKTOP





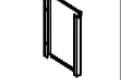
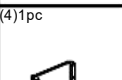
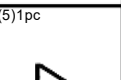
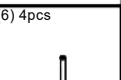




MODEL: PTC-2436, PTC-2448, PTC-2460, PTC-2472,
PTC-3036, PTC-3048,



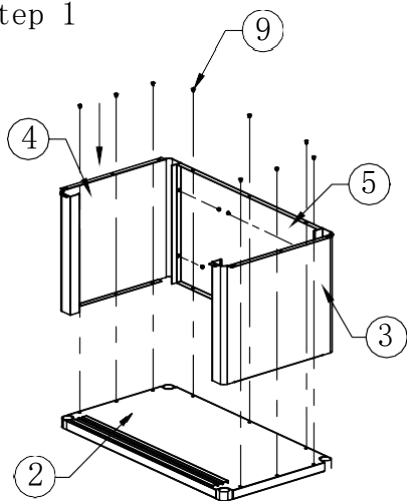
USR Brands, Inc.

Phone: 800-764-1172 | www.usrestaurant.com | sales@usrestaura

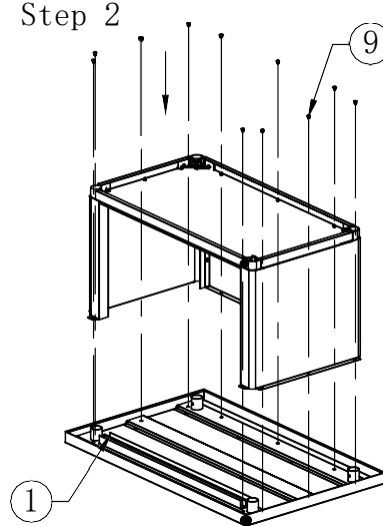
Assembly Procedure

Parts List		
(1) 1pc 	(2) 1pc 	(3) 1pc 
(4) 1pc 	(5) 1pc 	(6) 4pcs 
(7) 1pc 	(8) 1pc 	(9) 24pcs 
(10) 12pcs 		

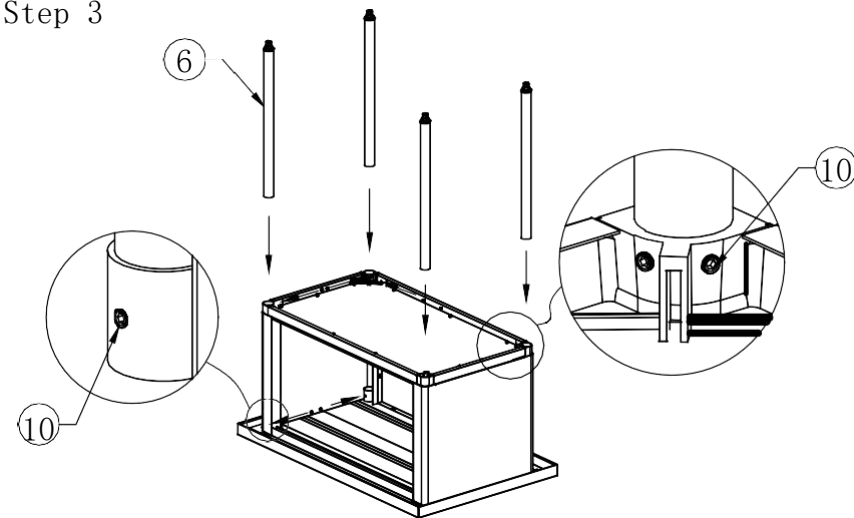
Step 1



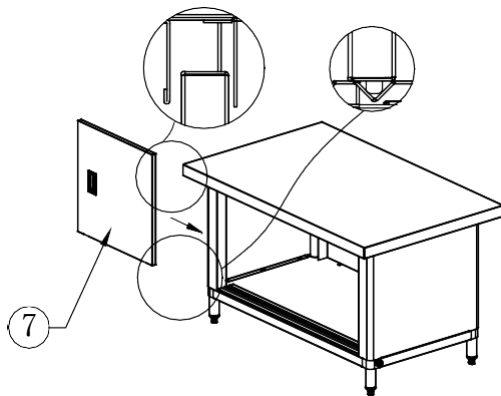
Step 2



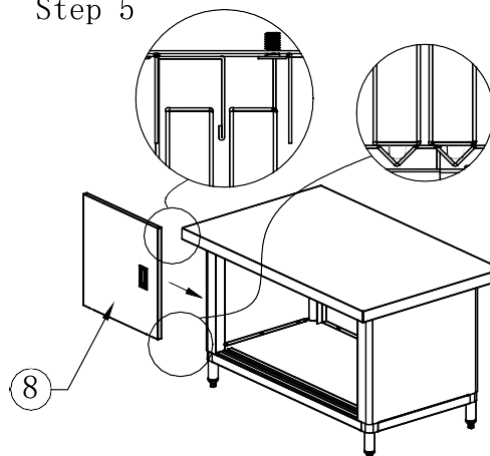
Step 3



Step 4



Step 5



Step 6

