

Project:	Quantity:
Model #:	Approval:

*For Commercial Use Only*

## Prepline 20" x 15" x 5" Stainless Steel Drawer

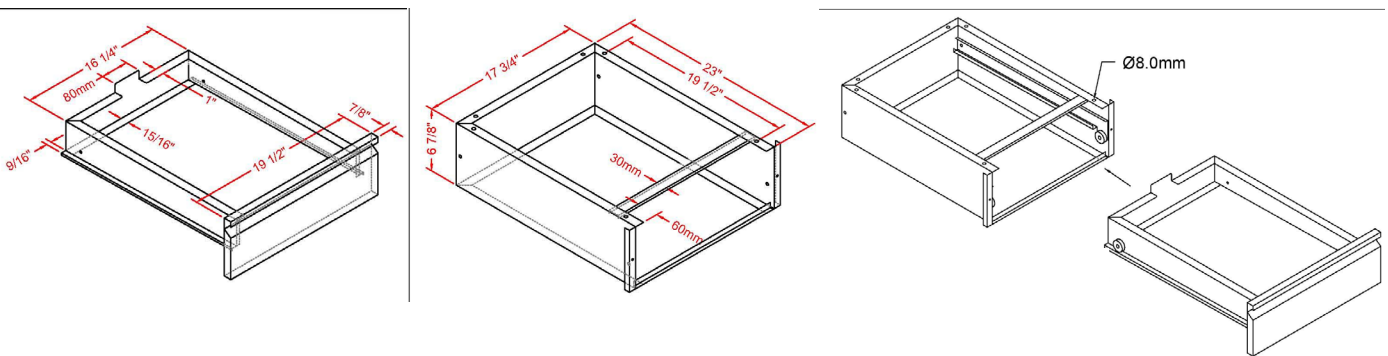


### STANDARD FEATURES

- Tough stainless steel interior & exterior
- Self-closing with lock and keys included
- Easy installation with brackets included
- Open/close smoothly with roller bearing
- Allows for stacking up to 3 drawers
- Fits Prepline tables(24" deep, 36" long or more)

An excellent addition to the stainless steel worktable, easy to install and built to last. Storing your kitchen utensils and accessories under your worktable with this Prepline 20" x 15" x 5" stainless steel drawer, helping maximize space usage in your kitchen.

### MODEL: PDR-2524



**U**SR Brands is a US supplier of premium quality commercial cooking, refrigeration and food preparation equipment. Our aim is simple. Produce industry-leading commercial restaurant equipment at reasonable prices, and back it all up with an easy to understand, no nonsense warranty that people can count on.