

USER MANUAL

ENCLOSED KITCHEN CABINETS



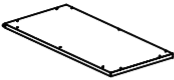


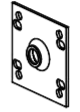
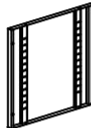
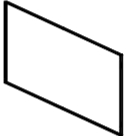








MODEL: PC-2436, PC-2448, PC-2460, PC-2472,
PC-3036, PC-3048, PC-3060, PC-3072,
PCB-2436, PCB-2448, PCB-2460, PCB-2472,
PCB-3036, PCB-3048, PCB-3060, PCB-3072



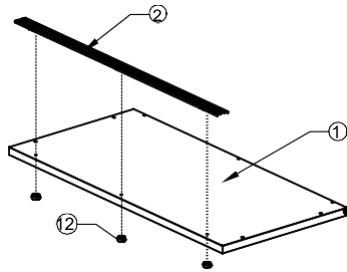
USR Brands, Inc.

Phone: 800-764-1172 | www.usrestaurant.com | sales@usrestaurant.com

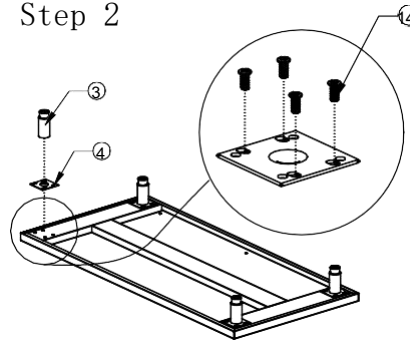
Assembly Procedure

Parts List	
(1) -1pc 	(2) -1pc 
(3) -4pcs 	(4) -4pcs 
(5) -2pcs 	(6) -1pc 
(7) -4pcs 	(8) -1pc 
(9) -1pc 	(10) -1pc 
(11) -1pc 	(12) -3pcs 
(13) M6-18pcs 	(14) M8-16pcs 

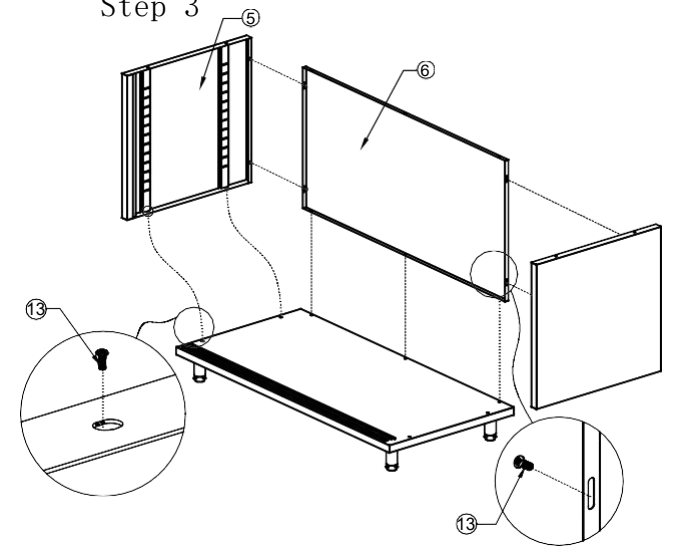
Step 1



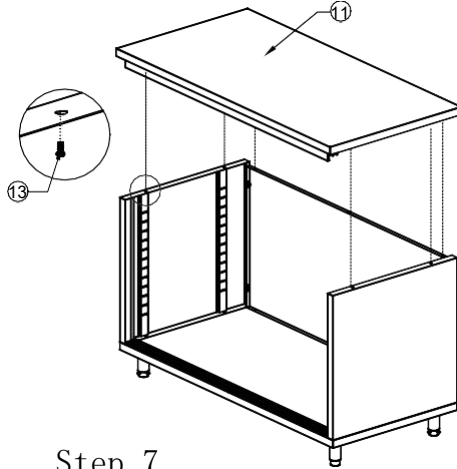
Step 2



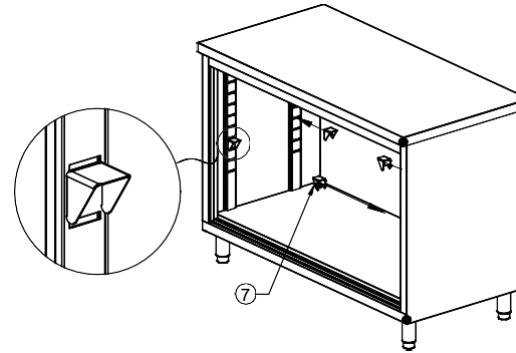
Step 3



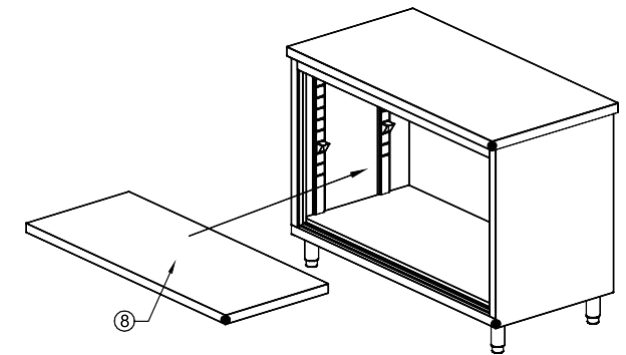
Step 4



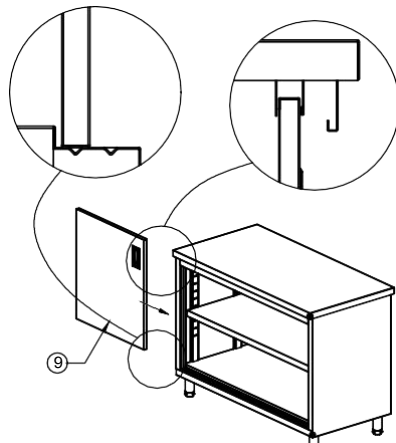
Step 5



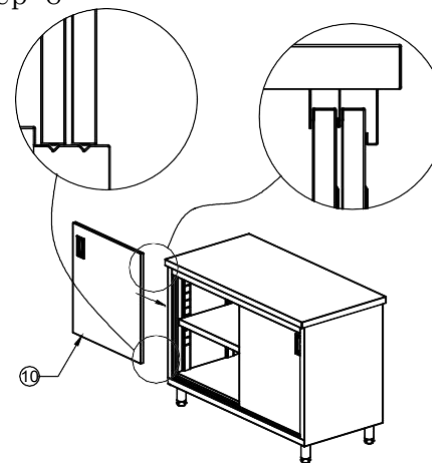
Step 6



Step 7



Step 8



Finally Assembly

