

|          |           |
|----------|-----------|
| Project: | Quantity: |
| Model #: | Approval: |

For Commercial Use Only

## Prepline PACM-1A Automatic Airpot Coffee Brewer with 1 Airpot- 120V



### FEATURES

- Fill Reservoir Automatically
- 3.8 gallons per hour
- Easy to use with toggle controller
- Compact design
- 1 Airpot and 25 filter paper included

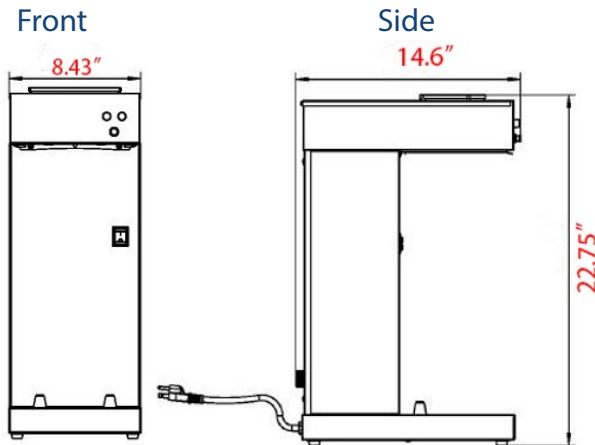
### ACCESSORIES



(25) Filter Paper included



(1) Airpot included



### TECHNICAL DATA

| SKU<br>MFR(Model)         | PACM-1A<br>(RUA-0001A) |
|---------------------------|------------------------|
| Exterior Dimension(W*D*H) | 14.6" x 8.43" x 22.75" |
| Packing Dimension(W*D*H)  | 18.7" x 10.63" x 25.2" |
| Net Weight/Gross Weight   | 16.07lb./19.95lb.      |
| Voltage/Amps/Hertz        | 120V/12.08A/50-60Hz    |
| Wattage                   | 1450W                  |
| Plug Type                 | 5-15P                  |
| Water Source              | Connect to Water Pipe  |



USR Brands is a US supplier of premium quality commercial cooking, refrigeration and food preparation equipment. Our aim is simple. Produce industry-leading commercial restaurant equipment at reasonable prices, and back it all up with an easy to understand, no nonsense warranty that people can count on.