

Gas Hot Food Steam Table with Undershef



Model : C-GST-30W
Front View



Model : C-GST-40W
Front View

STANDARD FEATURES

Stainless steel housing

7" wide full length polyethylene cutting board

3100BTU jet burner

Hi-medium-low control valve

Independent heat controls

8" deep well to fit 6" depth food pan

Standby S/S pilot for easy start

1/2" NPT rear gas connection

LP conversion kit included

Open well design for water (spillage pans needed) or dry heat

Spillage pans / food pans sold separately

No plumbing or drain needed

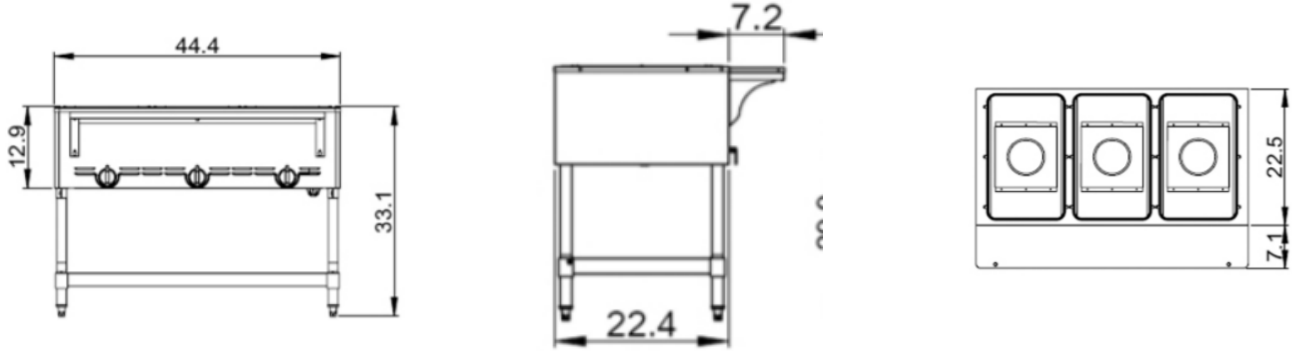
Model	Description	Well Type	Packing Size (IN)	Number of Burner	Total BTU/HR	N/W (LB)	N/W (LB)
C-GST-30W	Gas Steaming Table	Open Well	49 x 29 x 22	3	9,300	143 lbs.	190 lbs.
C-GST-40W	Gas Steaming Table	Open Well	63 x 29 x 22	4	12,400	180 lbs.	230 lbs.

•cETLus
•ETL Sanitation Listed
Conforms to UL & NSF Standard

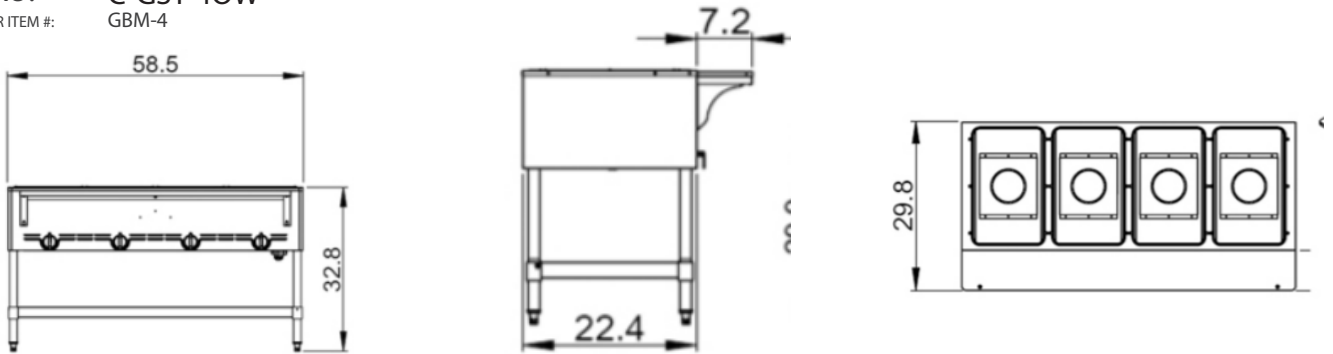


Gas Hot Food Steam Table with Undershef

SKU: C-GST-30W
MFR ITEM #: GBM-3



SKU: C-GST-40W
MFR ITEM #: GBM-4



With optional sneeze guard

