

Project:	Quantity:
Model #:	Approval:

For Commercial Use Only

60" Four Well Electric Hot Food Steam Table with Enclosed Base - 208/240V, 3000W

FEATURES

- Removable 1/2" thick poly cutting board
- Stainless steel construction
- Stainless steel heating element
- Enclosed base and sliding doors included
- Legs included, casters optional
- Fiberglass insulation between wells
- Adjustable stainless steel feet
- Independent heat controls
- Built-in water drain
- Sealed well design for water heat



Optional Lighted Sneeze Guard

- 60" Lighted Heated Sneeze Guard
- Four side tempered glass
- Includes three heat lamp bulbs
- Prevents contamination

This 60" food service glass sneeze guard display features stainless steel frame with four sides tempered glass, allowing customers excellent views of your food from all angles. The standard 120V makes set up easy.



USR Brands is a US supplier of premium quality commercial cooking, refrigeration and food preparation equipment. Our aim is simple. Produce industry-leading commercial restaurant equipment at reasonable prices, and back it all up with an easy to understand, no nonsense warranty that people can count on.

Project:	Quantity:
Model #:	Approval:

For Commercial Use Only

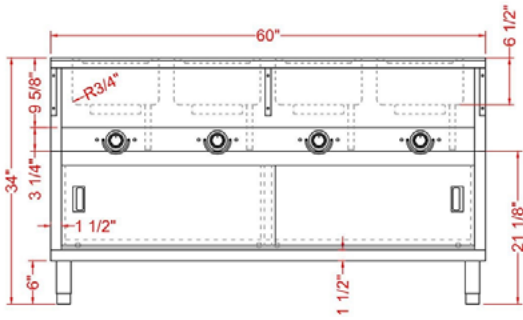
TECHNICAL DATA

MODEL	Exterior Dimension	Number of Well(s)	Electrical	Plug Type	Power	Well Type	Body Type
ESTC60-4S	60" x 30.6" x 34.4"	4	208~240v/60hz/1ph	NEMA 6-20P	3000w	Sealed Well	Cabinet

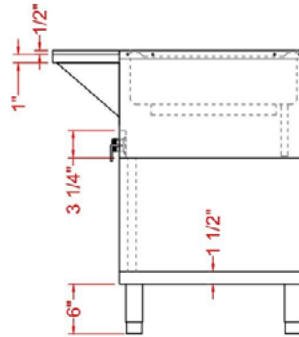
TECHNICAL DRAWING

SKU: ESTC60-4S
MFR ITEM #: EST-4SW-CBSD

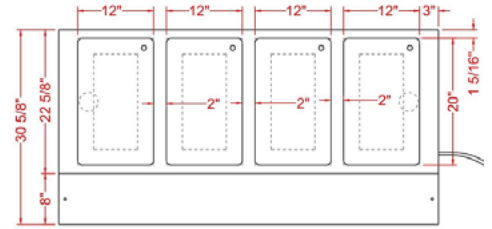
FRONT



SIDE

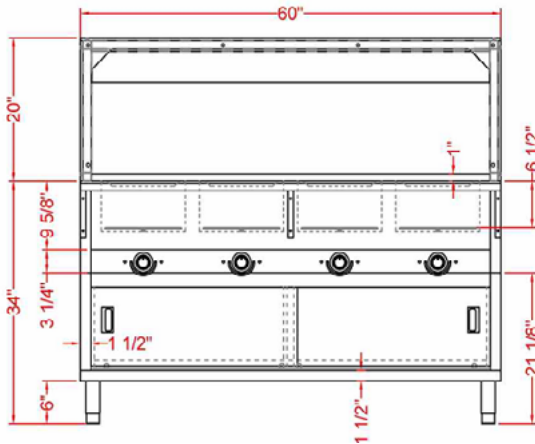


TOP

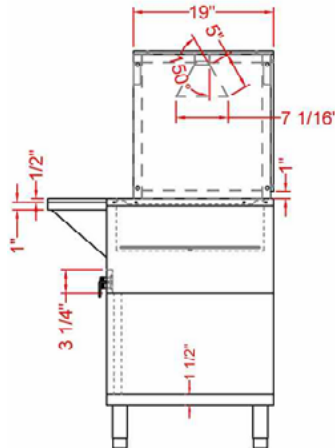


Optional Lighted Sneeze Guard

FRONT



SIDE



TOP

