

For Commercial Use Only

Preline Stainless Steel 2 Bowl Underbar Hand Sink with Faucet and Two Drainboards

FEATURES

- 8" Swivel Faucet with 4" Centers Included
- Includes Basket and Drain
- 10"X14"X10" Bowl Size
- Optional Cross Bracing
- 18GA. 304 Stainless Steel Top, Bowl, and Back
- 20GA. 304 Stainless Steel Apron
- Corrosion Resistance Leg and Socket
- Galvanized Leg and Socket

This Preline hand sink includes 3" backsplash, adjustable feet, pre-drilled faucet holes and comes with basket and drain, a great addition to your busy bars, restaurants, pubs, and other drink service establishments.



TECHNICAL DATA

Model	Overall Length	Overall Depth	Overall Height	Bowl Length	Bowl Width	Bowl Depth	Drainboard
BAR-2C-LR	48"	18.5"	33"	10"	14"	10"	Left and Right

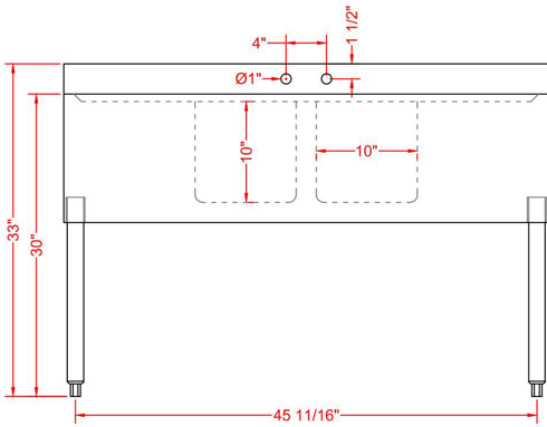
USR Brands is a US supplier of premium quality commercial cooking, refrigeration and food preparation equipment. Our aim is simple. Produce industry-leading commercial restaurant equipment at reasonable prices, and back it all up with an easy to understand, no nonsense warranty that people can count on.

Project:	Quantity:
Model #:	Approval:

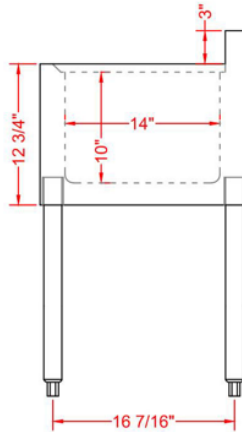
For Commercial Use Only

TECHNICAL DIAGRAM

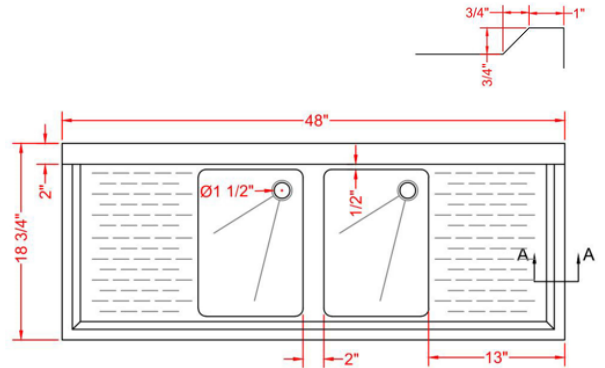
FRONT



SIDE



TOP



Faucet

