

|          |           |
|----------|-----------|
| Project: | Quantity: |
| Model #: | Approval: |

*For Commercial Use Only*

**Stainless Steel 1 Bowl Underbar Hand Sink with Faucet and Right Drainboard- 24" x 18"**

**FEATURES**

- 6" Swivel Faucet with 4" Centers Included
- Includes Basket and Drain
- 10"X14"X10" Bowl Size
- Optional Cross Bracing
- 18GA. 304 Stainless Steel Top, Bowl, and Back
- 20GA. 304 Stainless Steel Apron
- Corrosion Resistance Leg and Socket
- Galvanized Leg and Socket

This Prepline hand sink includes 3" backsplash, adjustable feet, pre-drilled faucet holes and comes with basket and drain, a great addition to your busy bars, restaurants, pubs, and other drink service establishments.



**TECHNICAL DATA**

| Model    | Overall Length | Overall Depth | Overall Height | Bowl Length | Bowl Width | Bowl Depth | Drainboard |
|----------|----------------|---------------|----------------|-------------|------------|------------|------------|
| BAR-1C-R | 24"            | 18.5"         | 33"            | 10"         | 14"        | 10"        | Right      |

**U**SR Brands is a US supplier of premium quality commercial cooking, refrigeration and food preparation equipment. Our aim is simple. Produce industry-leading commercial restaurant equipment at reasonable prices, and back it all up with an easy to understand, no nonsense warranty that people can count on.

|          |           |
|----------|-----------|
| Project: | Quantity: |
| Model #: | Approval: |

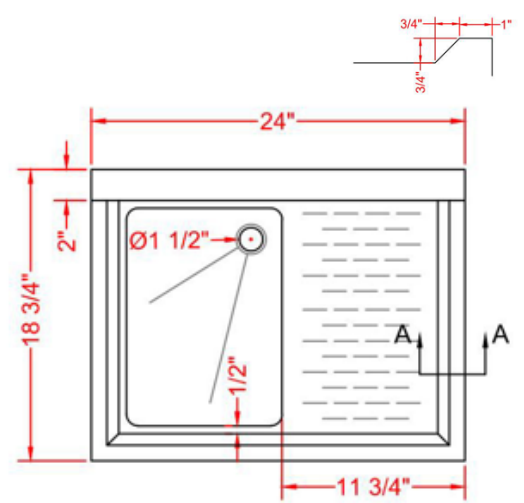
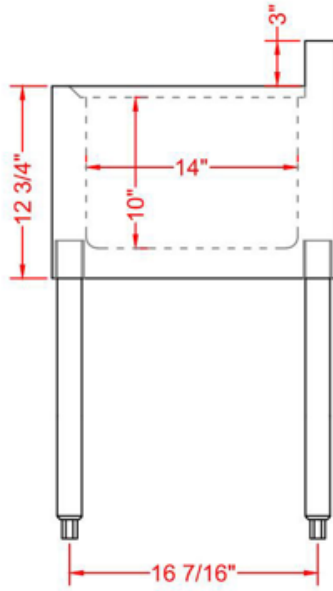
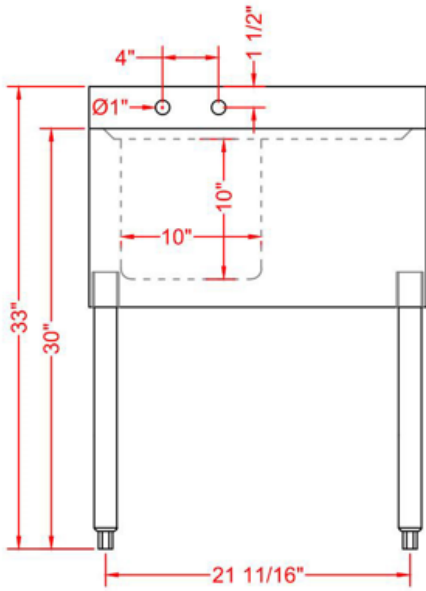
For Commercial Use Only

TECHNICAL DIAGRAM

FRONT

SIDE

TOP



Faucet

