

For Commercial Use Only

Stainless Steel 1 Bowl Underbar Hand Sink with Faucet and Left Drainboard- 24" x 18"

FEATURES

- 6" Swivel Faucet with 4" Centers Included
- Includes Basket and Drain
- 10"X14"X10" Bowl Size
- Optional Cross Bracing
- 18GA. 304 Stainless Steel Top, Bowl, and Back
- 20GA. 304 Stainless Steel Apron
- Corrosion Resistance Leg and Socket
- Galvanized Leg and Socket

This Prepline hand sink includes 3" backsplash, adjustable feet, pre-drilled faucet holes and comes with basket and drain, a great addition to your busy bars, restaurants, pubs, and other drink service establishments.



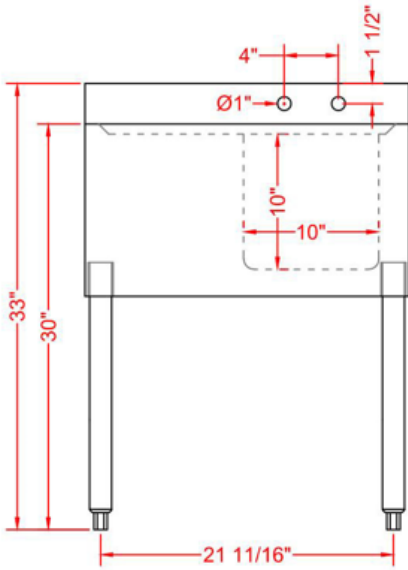
TECHNICAL DATA

Model	Overall Length	Overall Depth	Overall Height	Bowl Length	Bowl Width	Bowl Depth	Drainboard
BAR-1C-L	24"	18.5"	33"	10"	14"	10"	Left

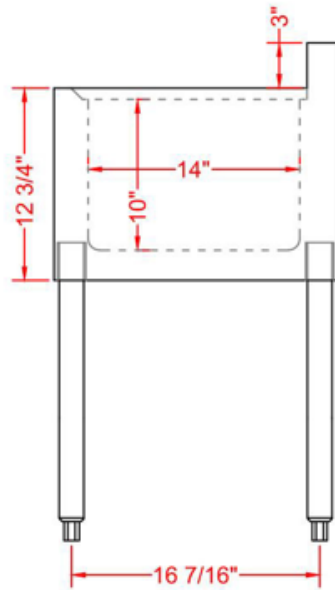
USR Brands is a US supplier of premium quality commercial cooking, refrigeration and food preparation equipment. Our aim is simple. Produce industry-leading commercial restaurant equipment at reasonable prices, and back it all up with an easy to understand, no nonsense warranty that people can count on.

TECHNICAL DIAGRAM

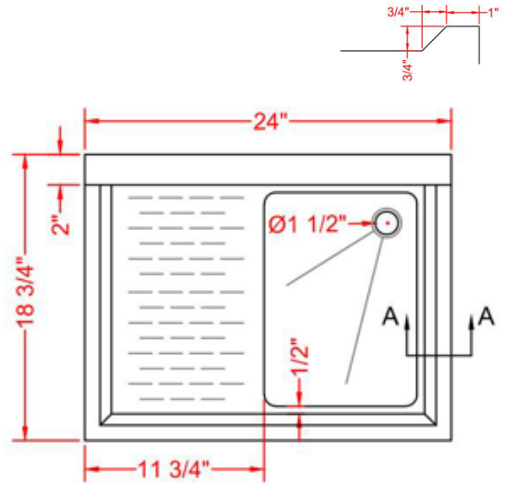
FRONT



SIDE



TOP



Faucet

