



SERVING THE FOOD INDUSTRY SINCE 1951

Top-Down Manual Press Patty Makers with Rear-Mounted Paper Holder

ITEM: 21572 21573



21572



21573

Your solution for a quick and consistent hamburger patty production.

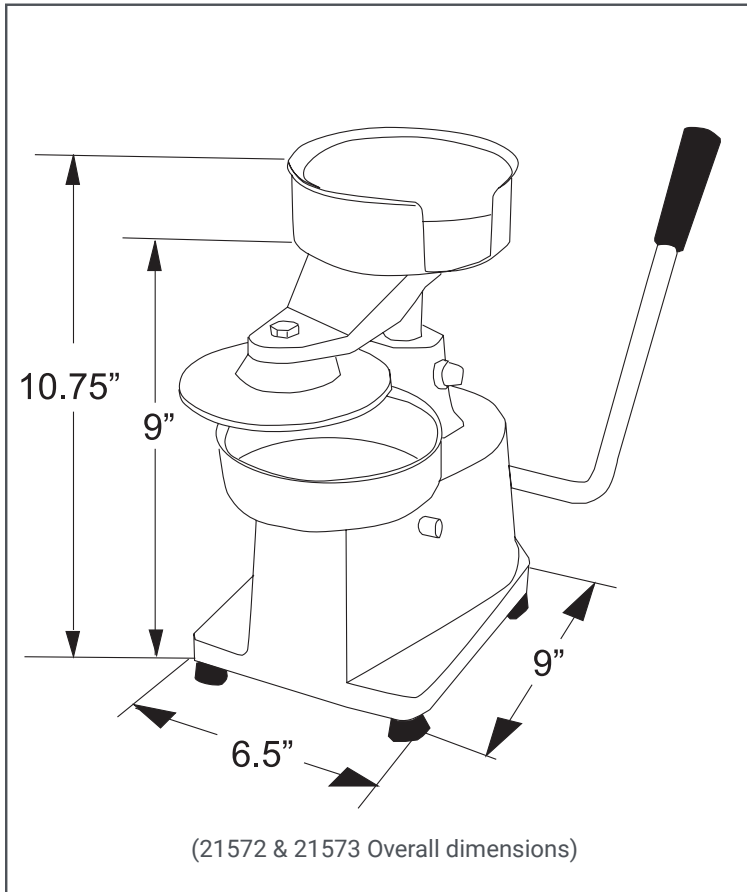
These patty makers offer quick production of hamburgers and patties. Ideal for restaurants and food trucks.

This machine is made of anodized aluminum. The parts that are in contact with the meat are made of stainless steel and are easily removable for cleaning.

* One pack of patty paper included



TECHNICAL DRAWING



TECHNICAL SPECIFICATION

	21572	21573
Item	21572	21573
Type	4" Diameter	5" Diameter
Patty Weight Capacity	3.5 oz. (99 g)	6 oz. (168 g)
Net Weight	11.5 lbs. (5.24 kg)	12.4 lbs. (5.62 kg)
Gross Weight	12.8 lbs. (5.84 kg)	13.7 lbs. (6.22 kg)
Net Dimensions (WDH)	8.3" x 10.8" x 11.4" (210 x 275 x 290 mm)	
Gross Dimensions	11.02" x 9.06" x 12.2" (280 x 230 x 310 mm)	

* Dimensions rounded up to the nearest 10th inch or millimeter. Specifications subject to change without notice.