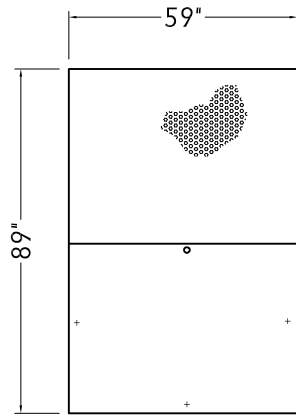
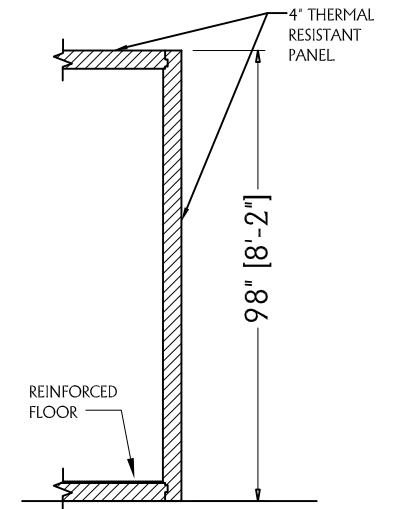
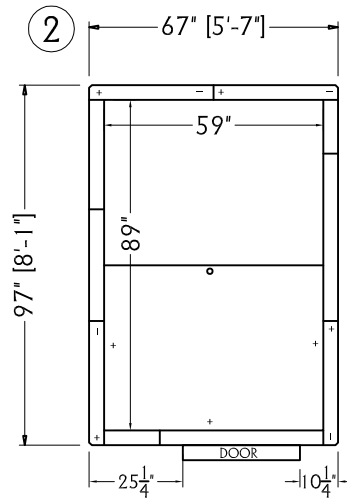
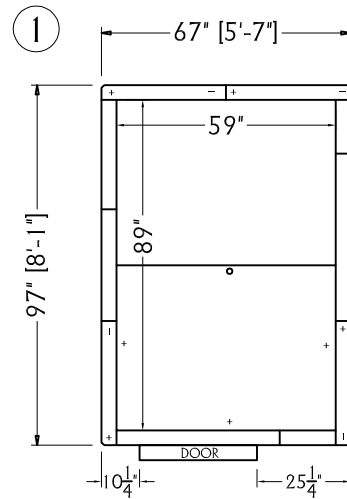


CEILING PANELS



FLOOR PANELS
(REINFORCED)



POSSIBLES DOOR PLACEMENTS

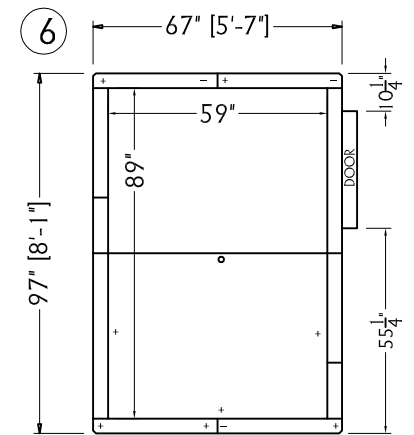
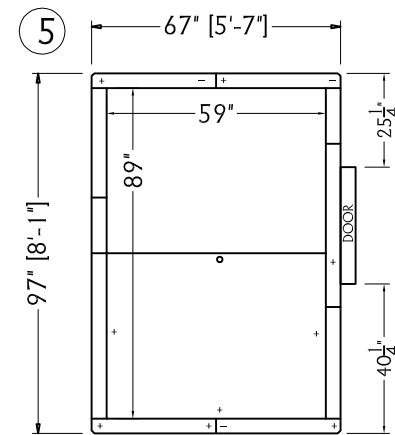
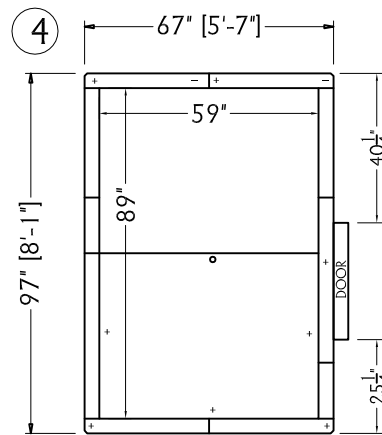
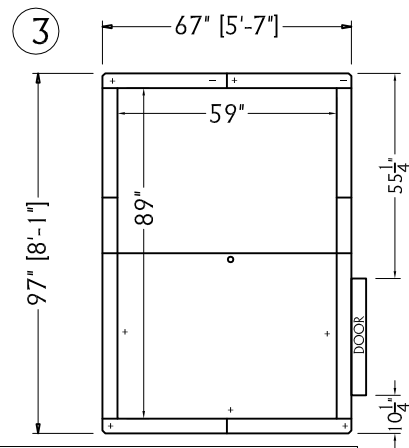
FREEZER WITH FLOOR

REMARKS

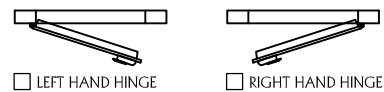
- HEIGHT = 8'-2"
- THICKNESS = 4"
- REINFORCED FLOOR PANELS
- DOOR OPENING : 31 1/2" W x 73"H

NOTES:

- 1.- FLOOR MUST BE WELL LEVELLED
- 2.- CHECK RIGHT POSITION OF CORNER PANELS
- 3.- PLEASE VERIFY ALL DIMENSIONS



DOOR SELECTED



THIS DOCUMENT IS PROPERTY OF MR. WINTER, INC. AND IS FOR THE SOLE USE OF THE INTENDED RECIPIENT(S). IF YOU ARE NOT THE ADDRESSEE INDICATED IN THIS DOCUMENT (OR RESPONSIBLE FOR THE DELIVERY OF THE DOCUMENT TO SUCH PERSON), YOU MAY NOT COPY OR DELIVER THIS DOCUMENT TO ANYONE. IN SUCH CASE, YOU SHOULD DESTROY THE DOCUMENT AND NOTIFY US IMMEDIATELY. ANY UNAUTHORIZED DISCLOSURE OR DISTRIBUTION IS PROHIBITED.

JOB No.: MRWINTERINC	CUST. P.O. No.: 6X8X98
WINTELLIGENT	SCALE: N.T.S.
FREEZER WITH FLOOR	
FINISH: SMOOTH SILVER FIN.	
5'-7" x 8'-1" x 8'-2" (H)	NSF LISTED
# OF PANELS: XX	SQ. FT.: XXX

NOTICE

This is an approval drawing, Fabrication will not begin until the engineering dept. receives the drawing dated and signed as approved.

APPROVED BY: _____

DATE APPROVED: _____

THANK YOU - Engineering Dept.

FAX: 305-828-0977