



Manufacturer of Coolers, Freezers, Step-Ins, Refrigeration Trailers and Sliding Doors

COOLER AND FREEZER INSTALLATION MANUAL



WWW.MrWinterInc.COM

1-800-327-3371

BEFORE INSTALLATION

Please read before you begin the installation of your walk-in

This booklet is provided for your information and guidance. Although no single set of directions will apply to every situation, some basic instructions do apply. For special installations please contact the factory.

Inspection on delivery

Each panel will be marked at the factory, designating walls, floors and ceilings. A floor plan is provided to assist you. Floor plans are usually inside the door package.

Please take the time to inspect all panel boxes prior to signing for shipment, making a note of any damage on delivery ticket. If concealed damage is discovered, save carton and **immediately** contact carrier agent to initiate inspection and claim. Please remember, although we will assist in any way we can, this is your responsibility.

Handling of Panels

Your panels were inspected prior to shipment and loaded in good condition, damage can occur if not properly handled when unloading and erecting your walk-in. If ground is wet, stack panels on a platform to avoid contact with ground. If panels are placed in outdoor storage, cover with moisture proof sheeting. When handling panels keep them flat to prevent denting, and avoid resting them on their corner edges. Always use sufficient manpower to eliminate mishandling or dropping panels.

Panel Description

All panels have a tongue-in-groove, inter-locking design, with edge gaskets, resulting in an air-tight structure(If installed square and level). Panels are provided with a male and female cam-locking device set into exact aligned positions around the perimeter. The male locks are located on the tongue edges and the female lock is located in the groove. You will have access to the male lock through the holes punched in the interior metal panel surface. Insert the hex wrench supplied through hole and firmly engage with hex opening of lock arm and turn 75° to secure lock. Make sure lock-arm is in a complete open position before joining panels.

INSTALLATION

Prepare your site

Please be sure the area is free of debris and swept clean. Chalk the perimeter outline of the structure to ensure proper space for your unit. If it is an inside installation adjacent to a building wall, allow enough space for proper ventilation (Approx. 3" - 5").

Floor Panels (If your installation is floorless proceed to the next section)

After you have cleared debris and swept installation site clean, use a chalk line to outline the position of panel wall, mark line to indicate the overall length of walk-in. Refer to the installation drawing provided, for the proper diagonal dimension. Care must be taken to properly level and support floor panels with shims. An uneven floor could result in a faulty installation.

Before you begin it is recommended that you place polyethylene sheeting or 50 lb. asphalt paper between floor panels and existing floor.

1. On your level floor place the floor end section in the correct location according to the diagram provided. Be sure panel is level in length and width.
2. Next, place the appropriate panel section into position. After making sure the edges are flush, lock the panels together.
3. As you assemble your floor, check to insure that existing floor is leveled and the chalk-line is followed.
4. Follow this procedure until the last panel is in place, this panel must be an end section.

Floorless Installations

1. Prepare site, clean debris, and sweep clean.
2. Establish your chalk line to define panel wall location.
3. Refer to your installation drawing provided for outside and inside dimensions of panel, and walk-in length and depth. Check diagram for outside corner-to-corner diagonal dimension.
4. When points are square, use chalk-line to mark outside panel walls.

5. You may find it easier to mark the interior wall line, just measure 4" from your outside lines and use chalk to mark. You may wish to place screeds into position around perimeter at this time.

6. Apply a bead of sealant along each chalk line. Carefully place screed on chalk line pressing down firmly. Secure screed in position by using masonry anchors or screws. Use **only N.S.F. approved silicone sealant.**

Wall Assembly

Review installation drawing provided, select a rear corner panel, place it even with outside of base, and partially lock into position. Select a wall panel on either side of the corner and firmly lock these panels to the corner making sure the tops are flush and level. Partially lock panel bottom locks into floor pin, but do not lock completely. Proceed with panels in both directions from corner to provide stability.

We suggest final locking of walls to floor after all wall panels are in place. This will allow for flexibility to level the top of the panels before they are locked firmly together.

Panels must be locked with level top line.

A corner panel must be the last wall panel erected.

Doors

When installing entrance doors, we do **not** suggest removing the door from the door jamb. Doing so will cause so will cause the spring assisted cam-lift hinge to lose the factory set tension and door will not operate as manufactured. We suggest using at least two men when handling and erecting, (being extremely careful not to drop or twist door section) door panel.

When door section is in place check door jambs for plumb and level proper door closing.

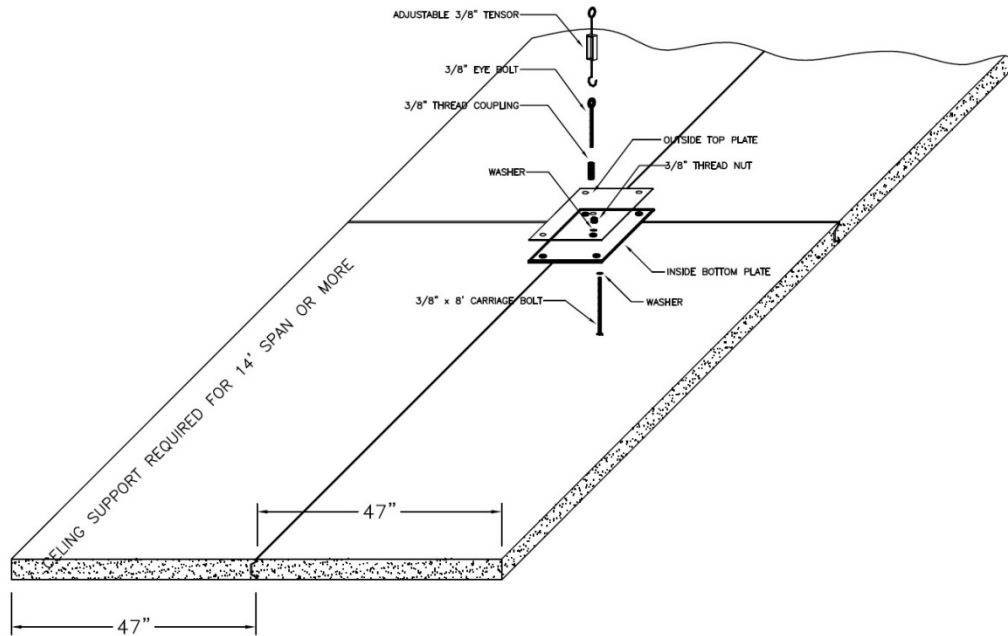
Ceiling Panels

Refer to the installation drawing provided, choosing the ceiling panel adjacent to building wall. Place the end panel, properly aligning it with corners, front, back, and side wall, but not to walls at "open" side. Select next panel, carefully align to end panel and walls. Lock together along center seam. Engage top wall locks into ceiling and tack, but not fully lock cam-locks. Continue placing ceiling panels, aligning, locking, and tacking to walls, until last panel is in place. After carefully checking corners and perimeter complete locking to walls.

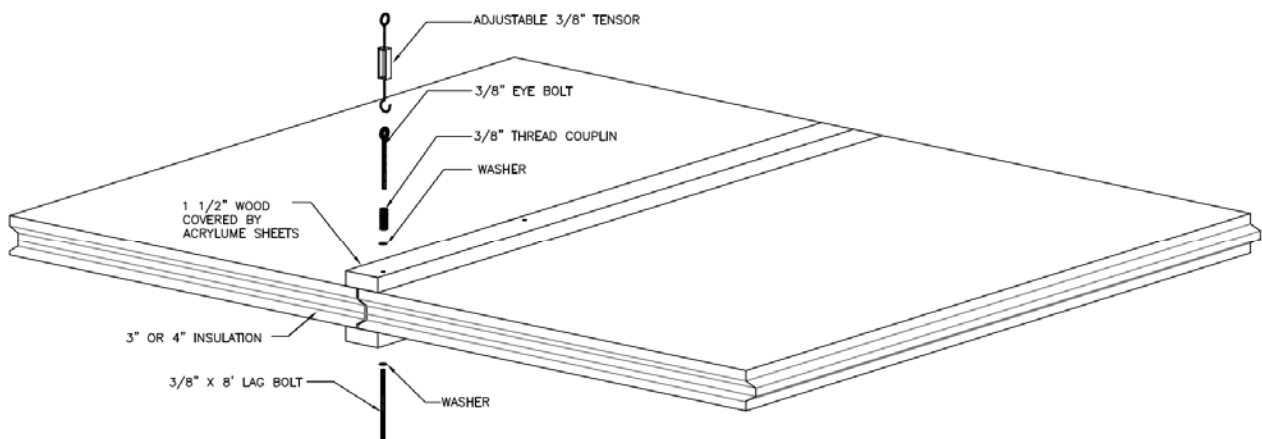
ROOF SUPPORT

For ceilings over 14 ft long will be supplied with a suspended support system. Supports should be installed as per engineering drawing supplied by factory with threaded rods, coupling nuts and eye bolts.

Indoor Installations



Outdoor Installations



OUTDOOR INSTALLATION

For outdoor installations a rain roof cap is recommended. Outdoor rain roof membrane should be of 40mill polyester fabric. Fabricated in white to reduce heat gain and save refrigeration cost. The roofing material is fabricated from a high tenacity low shrink polyester fabric that has been coated with a new thermoplastic alloy. This specially formulated permanent thermoplastic alloy will not migrate from the coating like conventional plasticizers; it is resistant ultra-violet rays, micro-organisms and is non-wicking. The tear and puncture strength from the polyester fabric are superb and it is impervious to most caustic chemicals, petroleum products and acids. It shows no ill effect to heat or cold. Detailed installation instructions are provided with each outdoor cooler. Here are some basic instructions to keep in mind.

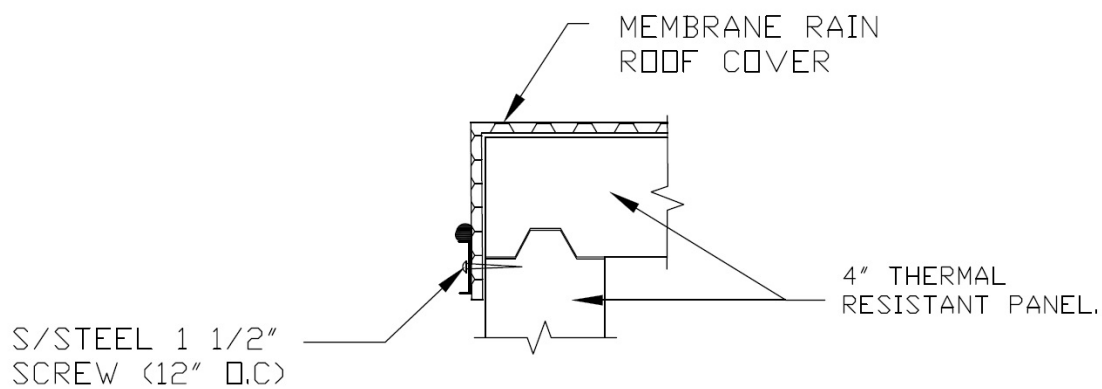
Rain Roof Installation Instructions

Place vinyl roofing material, with flaps underneath, on top of walk-in across narrow end. Allow 6" of vinyl to lap over each of the three sides. Carefully unroll vinyl material until vinyl flap falls into position. Then screw a plate at each end of flap. Keep placing screws until you end up with a crew and plate every 12". Continue to roll out vinyl until the end or the next flap then repeat screw down process. Once the end is reached, it should lap over end by at least six inches. Place a bead of caulking around top sides of walk-in with stainless steel screws. Fold corners and continue around box on all four sides.

Note: Place round piece of vinyl over each corner to protect against vinyl puncture. If vinyl hangs over more, cut off extra or fold extra under plastic strips.

- Up Against Building

For units installed up against buildings, lap vinyl 6" up the wall, run two beads of mastic caulk along wall edge 5" above walk-in. Then fasten plastic strip to building over vinyl with stainless steel screws or galvanized nails.



REFRIGERATION EQUIPMENT

- Remote Refrigeration Equipment

All remote refrigeration installations should be performed by a qualified and licensed refrigeration contractor. All installations should adhere to the manufacturer's specifications. All electrical connections should be performed by an electrical contractor.

- Self-Contained Units

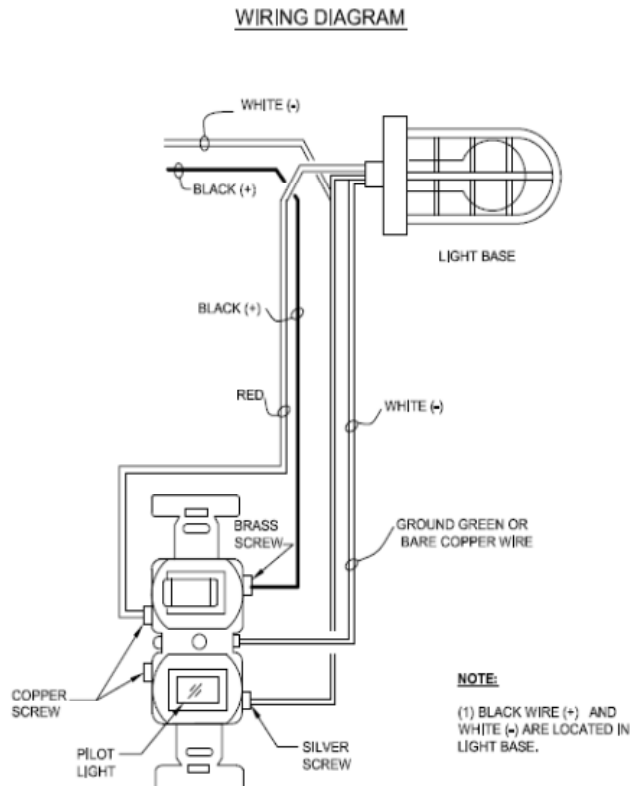
On self-contained top mount units, cut out square hole to allow installation of unit, using mastic caulk around edge of hole. Once unit is installed, caulk around perimeter of unit to provide a waterproof seal. All units must have a 24" clearance from the top of the machine to the existing ceiling. Follow independent manufacturer instructions to set controls for desired temperature.

ELECTRICAL INSTALLATION

Should be completed by a qualified electrical contractor

WARNING: HEATER CABLE 115V DO NOT CONNECT HEATER CABLES UNTIL REFRIGERATION IS RUNNING. DO NOT CONNECT TOGETHER WITH VAPOR PROOF LIGHT OR PRV.

WARNING: LIGHTS USE SEPARATE LINE FOR VAPOR PROOF LIGHT. DO NOT CONNECT TOGETHER WITH HEATER CABLES OR PRV.



COMPLETING THE INSTALLATION

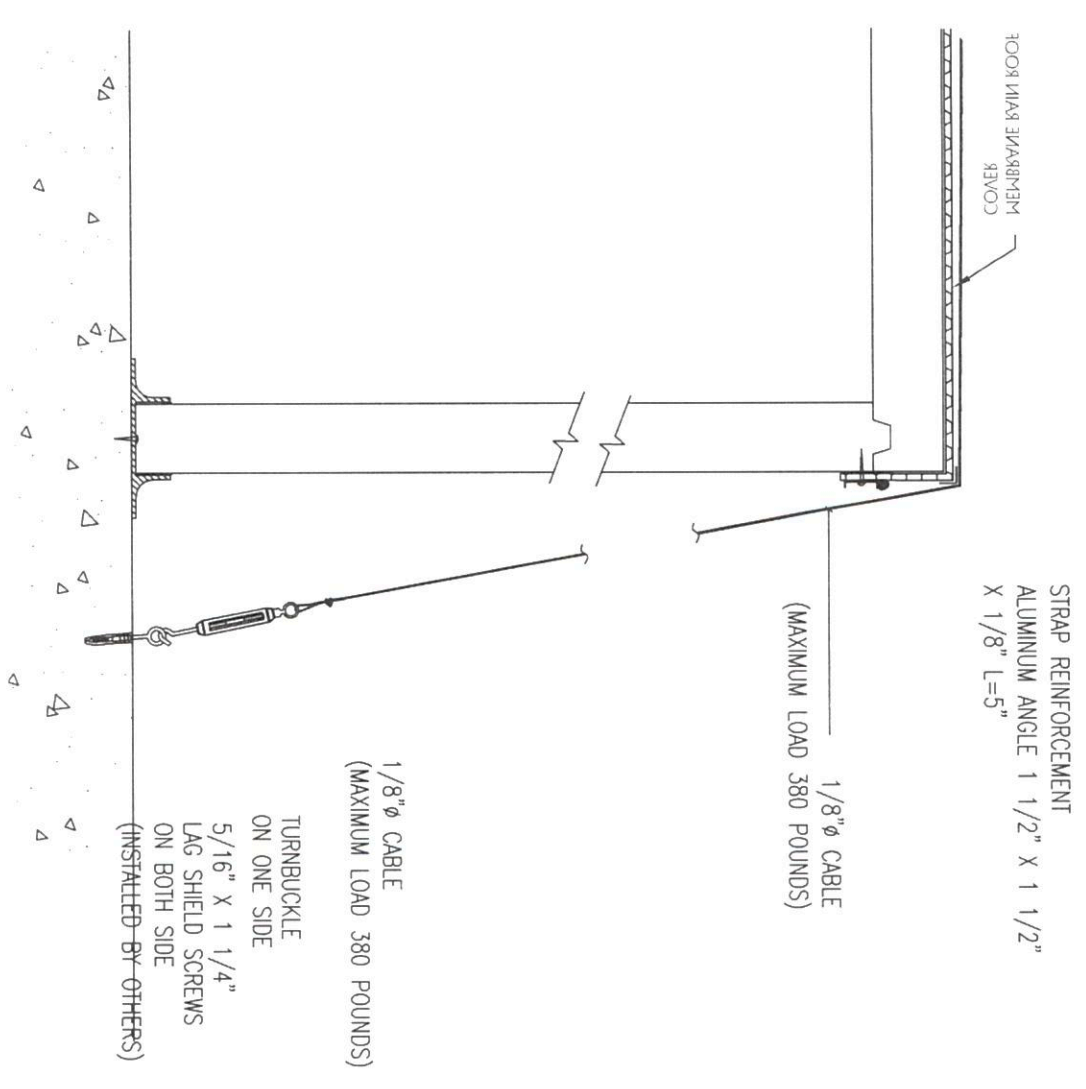
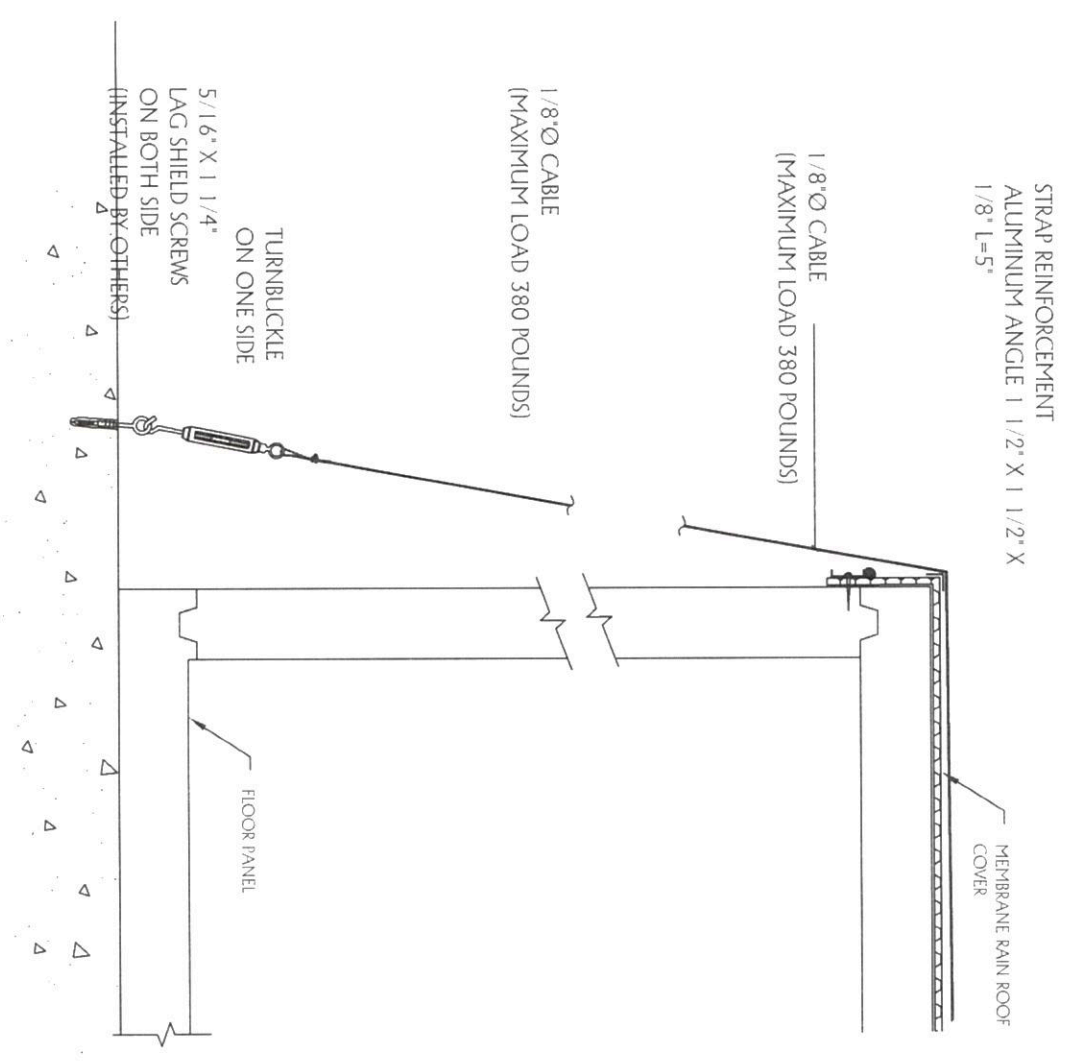
- Snap in vinyl caps for cam-lock holes
- Entrance door thresholds must be attached to floor panels when floor is provided

Accessories included with walk-in

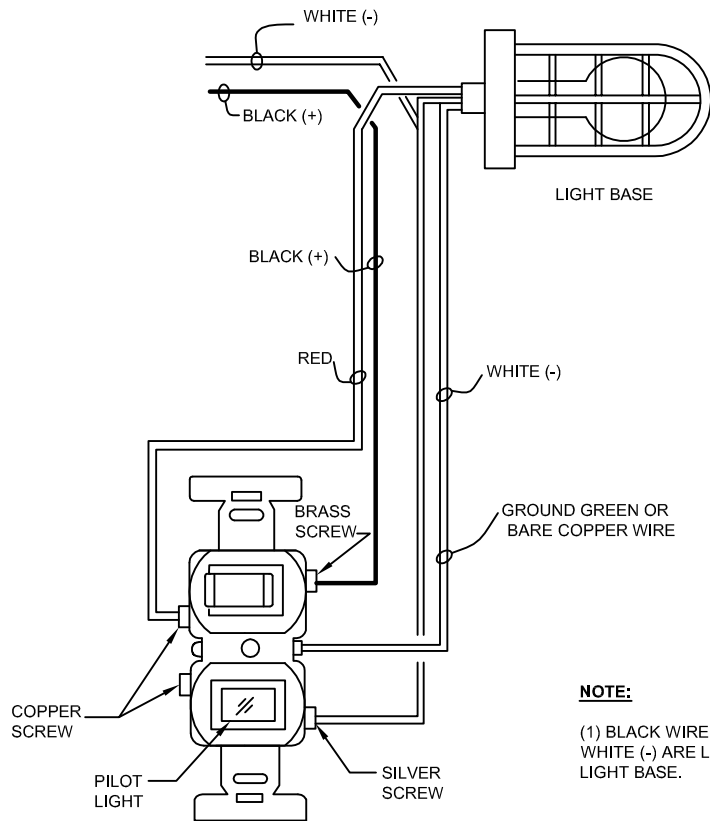
- Vinyl caps for cam-lock holes
- Hex Wrench
- Vinyl Floor Screed for floorless installation
- Vapor Proof Light cover
- Pilot Light switch
- S/S Light switch cover
- Floor Plan

WARRANTY

MR. WINTER warrants to the original purchaser that the walk-in refrigerated rooms manufactured by the company are free from any defect in material or workmanship under conditions of normal use and service. The obligation of the manufacturer' under this warranty shall be limited to repairing or replacing at their option F.O.B. Factory, any panel of said walk-in which proves defective within ten years from the date of original installation Refrigeration equipment carries a standard one year factory warranty for compressor and accessories This warranty is in lieu of all other warranties expressed or implied and does not apply to equipment which has been subject to any accident, alteration, abuse, misuse or improper installation. This warranty does not include any labor charges for replacement or repair of defective parts or product loss reimbursement.



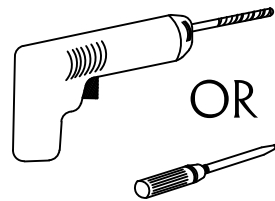
WIRING DIAGRAM



NOTE:

(1) BLACK WIRE (+) AND WHITE (-) ARE LOCATED IN LIGHT BASE.

CAM/LOCK HOLE OPENING

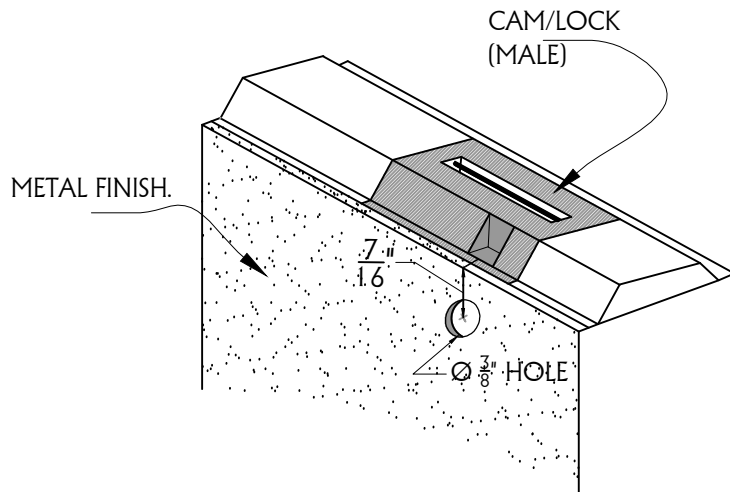


MAKE HOLE USING 3/8"
DRILL BIT OR PUNCH
(SEE DETAIL)

METAL
FINISH.

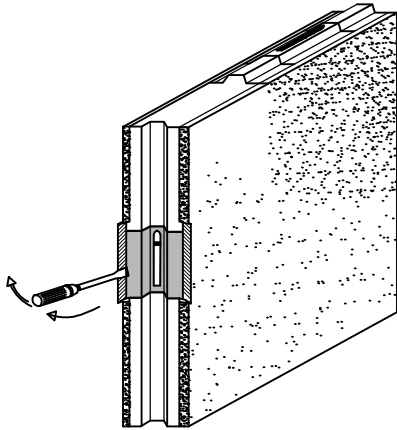
CAM/ LOCK
(MALE)

CAM/ LOCK
(MALE)



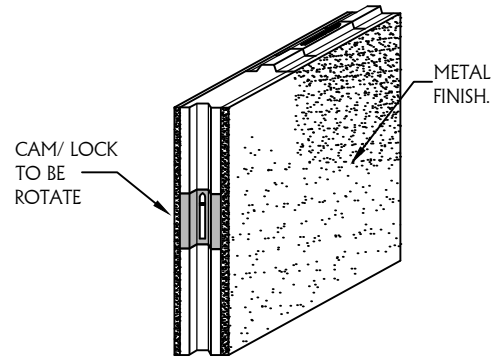
OPEN HOLE DETAIL

STEPS TO REVERSE CAM/ LOCK



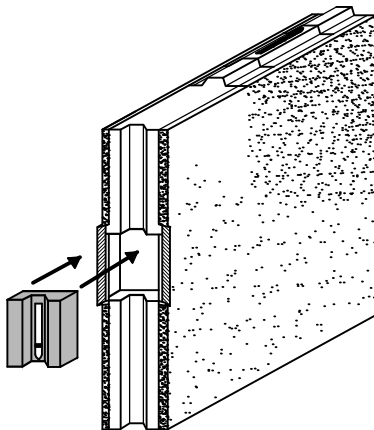
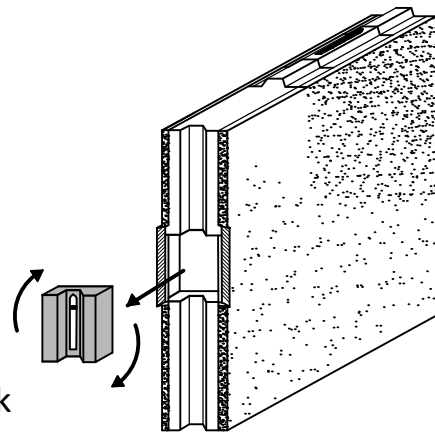
STEP - 1

Use a flat head screw driver to open the metal on each side of the cam-lock.



STEP - 2

Insert screw driver in the center of the cam-lock to extract cam-lock & Rotate cam-lock 180°.



STEP - 3

Insert cam-lock back into the panel.

STEP - 4

Close metal to cover cam-lock. Use a flat surface (Example: 2x4 & a hammer) for a smooth edge finish.

