

PROJECT: _____

LOCATION: _____

ITEM#: _____

QUANTITY: _____

C-02RM

C-04RM

COUNTER TOP HINGED GLASS DOOR REFRIGERATORS

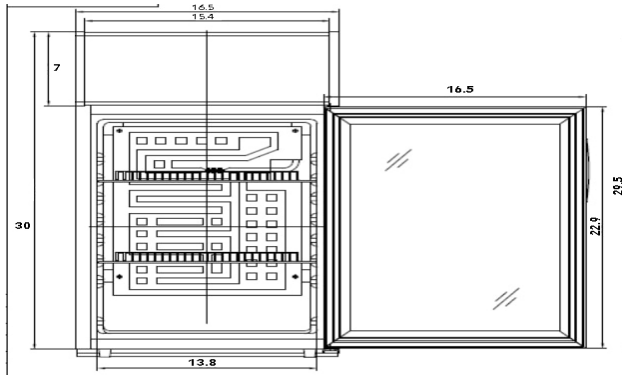
- Beautiful ergonomic construction
- White powder coated steel exterior and interior
- Forced air refrigeration system
- Bottom mount compressor
- Recessed door handles
- LED interior lighting
- Bright lighted top display sign
- Low-E, Dual pane glass
- Heavy duty ABS extruded door frame
- Pre-installed leveling feet and shelving
- Door locks
- Migali® Protection Plan: 1 Year Parts & Labor Warranty, 5 Years Compressor Warranty

MODEL	DOORS	CAPACITY CU/FT	SHELVES	H/P	AMPS	VOLTAGE	ENERGY CONSUMPTION KWH/24 HR	PLUG TYPE	TEMP RANGE	EXTERIOR DIMENSIONS W X D X H*	INSIDE DIMENSIONS W X D X H**	PACKAGED DIMENSIONS W X D X H**	WEIGHT	PACKAGED WEIGHT
C-02RM	1	2	2	1/6	0.7	115/60/1	0.85	Nema 5-15P	+33° F (~) +41° F	16.5" x 18.1" x 31"	12.8" x 13.8" x 20.3"	18" x 19.5" x 35"	48.5 lbs.	55 lbs.
C-04RM	1	4	3	1/5	0.9	115/60/1	1.2	Nema 5-15P	+33° F (~) +41° F	18.9" x 18.1" x 33.5"	20.9" x 15.9" x 17.3"	20.5" x 19.5" x 37.5"	68 lbs.	74 lbs.

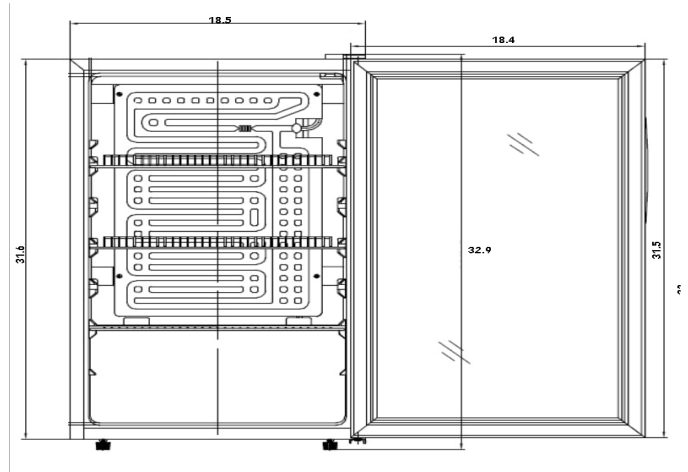
NOTE: MIGALI® RESERVES THE RIGHT TO CHANGE SPECIFICATIONS WITHOUT NOTICE

DIMENSIONAL DRAWINGS

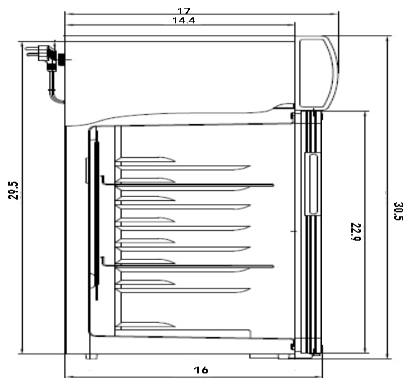
C-02RM



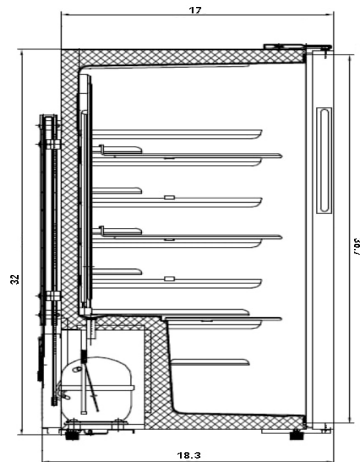
C-04RM



C-02RM SIDE VIEW



C-04RM SIDE VIEW



Migali[®]

MIGALI[®] REMAINS AN AMERICAN FAMILY COMPANY SINCE 1955