

Project:	Quantity:
Model #:	Approval:

*For Commercial Use Only*

### Marchia MHW138 50" Full-Service Slanted Countertop Heated Display Merchandiser - 2 Shelf

#### FEATURES

- 50" black countertop heated display merchandiser
- Slanted 2-shelf full-service design
- Tempered glass sides
- Independent heat and light controls for each shelf
- Adjustable thermostat
- 86-194 degrees Fahrenheit temperature range
- Adjustable divider rods
- Fixed rubber feet
- Front and rear openings



- ETL Listed
  - ETL Sanitation Listed
- Conforms to UL & NSF Standard



USR Brands is a US supplier of premium quality commercial cooking, refrigeration and food preparation equipment. Our aim is simple. Produce industry-leading commercial restaurant equipment at reasonable prices, and back it all up with an easy to understand, no nonsense warranty that people can count on.

Project:	Quantity:
Model #:	Approval:

For Commercial Use Only

## TECHNICAL DATA

### DIMENSIONS

Exterior Dimensions	49.57"L x 27.68"D x 27.72"H
Packaging Dimensions	52.2"L x 30.2"D x 28.9"H
Unit Weight	144 lb.
Shipping Weight	150 lb.

### ELECTRICAL

Voltage	110
Hertz	60
Phase	1
Amps	13
Wattage	1500
Plug Type	NEMA 5-20P
Power Cord Length	92"

### HEATING

Temperature Range	86°F to 194°F
Temperature Controller	Analog / Thermostatic

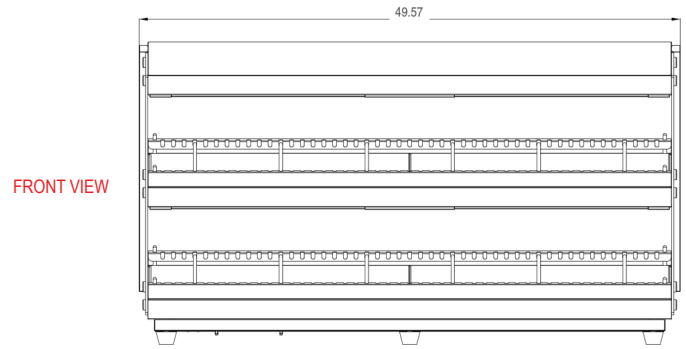
### CONSTRUCTION

Exterior Material	Glass and Stainless Steel
Shelf Quantity	2
Shelf Material	Stainless Steel
Shelf Size	48"L x 22.05"D
Interior Light	Yes
Access Type	Front and Rear

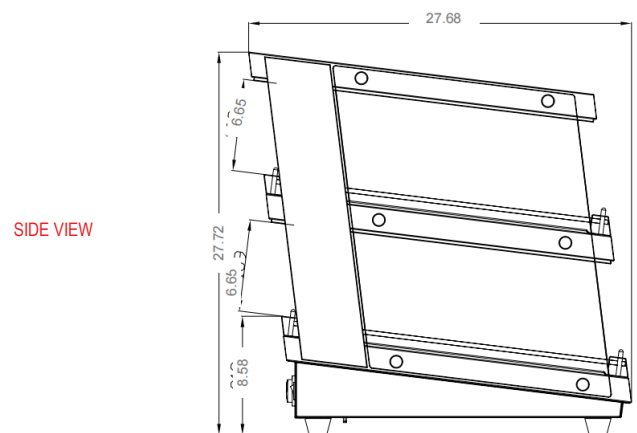
## TECHNICAL DRAWING

MODEL: **MHW138**

MFR ITEM #: HW-138



FRONT VIEW



SIDE VIEW



BACK VIEW