

Project:	Quantity:
Model #:	Approval:

For Commercial Use Only

GIC-9 51" 9-Pan White Gelato Ice Cream Dipping Cabinet Display Freezer



FEATURES

- Digital temperature controller and display
- Gelato ice cream display
- Rear sliding door for easy access
- Brilliant Internal LED illumination on top
- Automatic defrost
- 9 stainless steel gelato pans included
- Pan size: 14.2"L x 6.5"D x 4.5"H
- 5" deep stainless steel rear work surface
- 6" deep stainless steel top work surface
- 110v plug and play
- Eco-friendly R290 refrigerant
- Pre-installed low profile casters, 2 leveling feet
- Stainless steel interior
- White steel exterior
- Temperature Range -7.6 F to 5 F

- cETLus Listed
 - ETL Sanitation listed
- Certified to NSF Standard



USR Brands is a US supplier of premium quality commercial cooking, refrigeration and food preparation equipment. Our aim is simple. Produce industry-leading commercial restaurant equipment at reasonable prices, and back it all up with an easy to understand, no nonsense warranty that people can count on.

Project:	Quantity:
Model #:	Approval:

For Commercial Use Only

TECHNICAL DATA

DIMENSIONS

Exterior Dimensions	50.9"L x 34.6"D x 49.7"H
Interior Dimensions	48"L x 25.2"D x 24.7"H
Packaging Dimensions	54"L x 39"D x 57"H
Unit Weight	418 lb.
Shipping Weight	492 lb.

ELECTRICAL

Voltage	110-120
Hertz	60
Phase	1
Wattage	1850
Amps	17.8
Plug Type	NEMA 5-20P
Power Cord Length	71"

COOLING

Temperature Range	-7.6°F to 5°F
Refrigerant	R290
Defrosting	Automatic
Temperature Controller	Digital

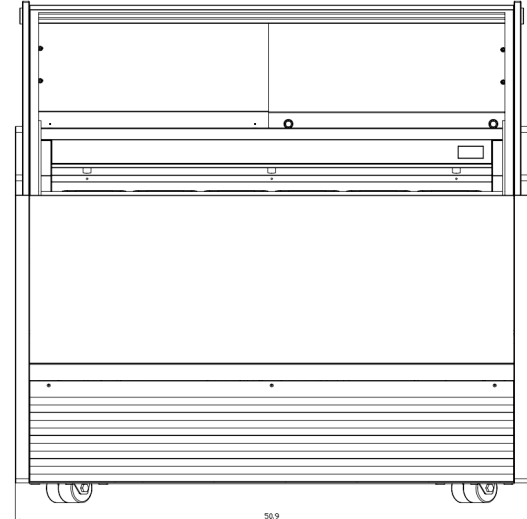
CONSTRUCTION

Exterior Material	Glass, Stainless Steel, Painted Steel
Interior Material	Stainless Steel
Pan Quantity	9
Pan Material	Stainless Steel
Pan Size	14.2"L x 6.5"D x 4.5"H
Pan Capacity	5L
Interior Light	L.E.D
Mobility Wheels/Casters	4

DIAGRAM

MODEL: **GIC-9**

MFR MODEL:



NEMA 5-20P

