

RFK-0320 Flake Ice Machine

RFK-0320 Flake Ice Machine

Models

- RFK-0320



Model RFK-0320A
Flake Ice Machine
on D-420 Bin

Standard Features

- Up to 170 kg (375 lbs) daily flake ice production.
- High load maintenance free bearing for enhanced reliability.
- Service updates facilitate installation and make cleaning easier.
- Flake ice is perfect for food display, salad bar, and cold therapy/healthcare
- Ice form around object without bruising and hold object in place without tipping/spilling
- Heavy duty stainless steel cabinet resists corrosion



Specifications

Condenser Heat of Rejection (BTU per hour):
5,000 (average)

Refrigerant:
R452A

- Operating Limits:**
- Ambient Temperature Range: 10°-43°C (50°-110°F)
 - Water Temperature Range: 3°-32°C (37°-90°F)
 - Water Pressure Ice Maker Water In:
Min. 1 bar (14 psi)
Max. 6 bar (84 psi)

Ice Machine Electric

220-240/50/1

Ave power consumption:
830 W

Maximum fuse size:
10 amps.

HACR-type circuit breakers can be used in place of fuses.

Standard Features

Flake ice is small hard bits of ice ideally suited for presentation applications.



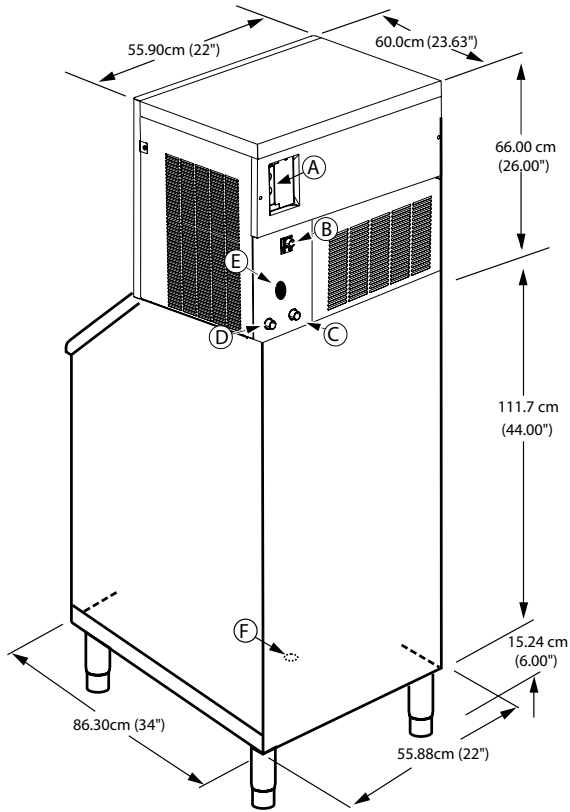
Ice shown actual size





RFK-0320 Flake Ice Machine

RFK-0320 on D-420



Installation Note -
 Minimum installation clearance:
 Top/sides: 20.32cm (8")
 Back: 12.70cm (5")

- Ⓐ Electrical Entrance (2) Options
- Ⓑ 0.95cm F.P.T. Condenser Inlet (water-cooled only)
- Ⓒ 1.27cm M.P.T. Condenser Drain (water-cooled only)
- Ⓓ 1.27cm M.P.T. Ice Making Water Drain
- Ⓔ 0.95cm F.P.T. Ice Making Water Inlet
- Ⓕ 1.9cm Bin Drain

Shipping Weight 74 kg / 163 lbs

Ice Machine Electric



RFK-0320 on D-420

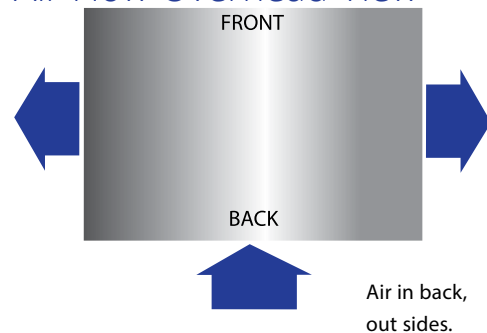
Height: 193.00 cm (76")
 Width: 60 cm (23.63")
 Depth:
 Bin Storage: 147 kgs (310 lbs)

Height includes adjustable bin legs 15.24 to 17.78cm, (6 to 7") set at 15.24cm (6").

Ice Machine Electric

K-00472 Bin Adapter needed for RFK-0320 on 30" D-400 or D-570 Ice Bin

Air Flow Overhead View



Air-Cooled Ice Machine	Model	Ice Shape	Ice Production 24 Hours		Power kWh/100lbs @ 32°Air/21°C Water	Potable Water Usage (45.4 kgs/100 lbs of Ice)
			10° Air/7°C Water 50° Air/45°F Water	21° Air/15°C Water 70° Air/60° F Water		
			RFK-0320A	Flake		

Welbilt reserves the right to make changes to the design or specifications without prior notice.

www.manitowocice.com

Welbilt Deutschland GmbH
 Auf der Weih 11
 D - 35745 Herborn,
 Germany
 Tel.: +49 27 72 58 050
welbilt.com.de

Welbilt Iberia, S.A.U
 Textil, 6 - Pol.Ind. La Ferreria
 - 08110 Montcada i Reixac
 Barcelona, Spain
 Tel.: +34 902 20 10 69
welbilt.com.es

Welbilt UK
 Ashbourne House, The Guildway,
 Old Portsmouth Rd, Guildford
 GU3 1LR, United Kingdom
 Tel.: +44 1483 464900
www.welbilt.uk

