



Model: _____ Item #: _____ Date: _____
 Project: _____ Qty: _____ Approved By: _____

Table Top Liquid CO2 Glass Chiller

Royal Series Underbar



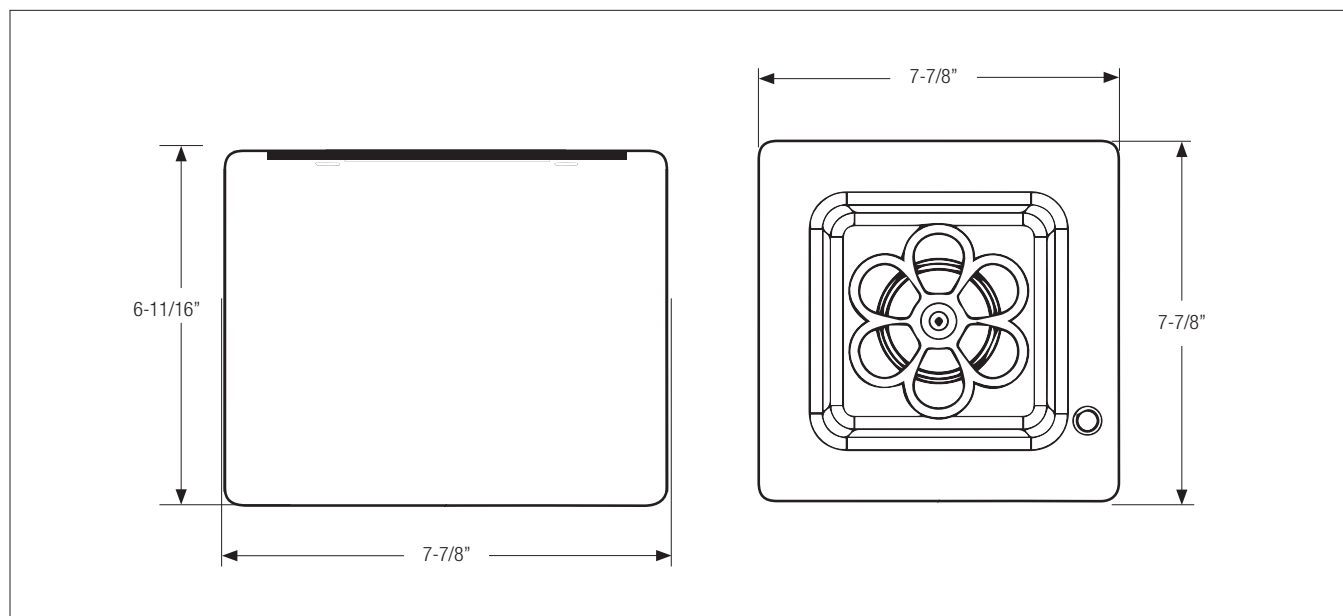
Standard Features

- Built-in LED light that activates when chiller is used
- Includes worktop mounting kit, rechargeable 12V battery and 100/240V AC plug
- High quality, stainless steel construction
- CO2 tank not included (20 lb. aluminum tank with siphon tube recommended)

Specifications

Dimensions	▪ 7-7/8" x 7-7/8" x 6-11/16"
Unit Weight	▪ 12.8 lbs. with battery (excludes CO2 cylinder) ▪ 9.5 lbs. w/o battery (excludes CO2 cylinder)
Gas Refrigerant	▪ CO2 (food grade) carbon dioxide
Cylinder Type	▪ CO2 cylinder with siphon tube (not included)
CO2 Line Length	▪ Model KR-LC2GF-TT - 10 ft. ▪ Model KR-LC2GF-TT-W - 10 ft. ▪ Model KR-LC2GF-TT-E - 40 ft.
Power Supply	▪ 14V 4A or 13.8 3.5A is recommended ▪ Rechargeable 12V battery - 100/240V AC plug
Power Input	▪ 100 - 240V AC
Frequency	▪ 50 - 60 Hz
Max Power Capacity	▪ 50W

Model	Description	CO2 Line Length
KR-LC2GF-TT	Glass Chiller Table Top	10'
KR-LC2GF-TT-E	Glass Chiller Table Top with Extended Line	40'
KR-LC2GF-TT-W	Glass Chiller Table Top with Wood Finish	10'



⚠ Warning: This product can expose you to chemicals including lead and lead compounds which are known to the State of California to cause cancer and birth defects or other reproductive harm. For more information go to www.P65Warnings.ca.gov.



Krowne Metal Corporation • 100 Haul Rd. Wayne, NJ 07470 • P: (800) 631-0442 • customerservice@krowne.com • krowne.com

Due to our commitment to continued product improvement, specifications are subject to change without notice.

Rev. 06/2024 • No. KR-LC2GF-TT