

Diamond Series Adjustable Spray Head

Diamond Series Plumbing



Standard Features

- Variable spray pattern
- Rotates spray head 180° for different spray style
- Knife pattern has a wide fan-like condensed spray for large surface area cleaning
- Shower pattern has a tight, high-powered shower pattern for tough grime removal
- 360° smooth-swivel functionality
- Ergonomic handle
- Lifetime warranty

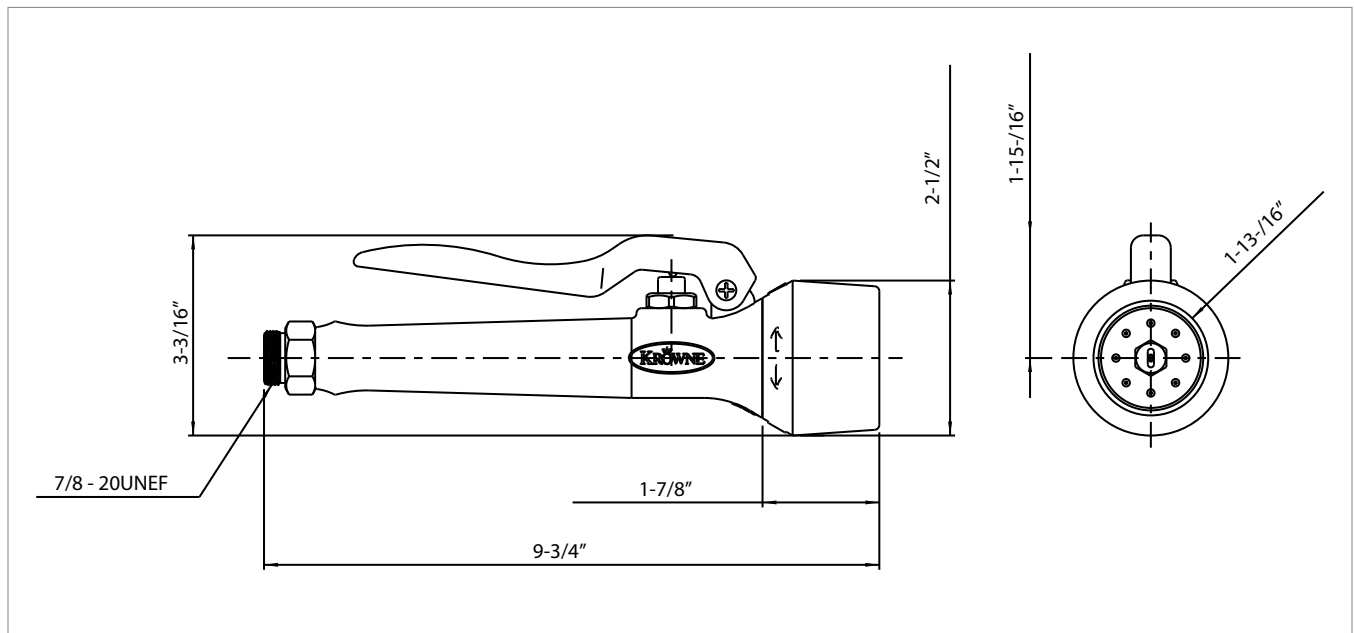
Specifications

Model	Description
DX-129	Diamond Series 1.15 GPM Dual Spray Head Valve with Built-In Knife and Shower Settings, Integral Smooth-Spin Swivel

Temp. Range	40°F - 180°F
Operating Pressure	20-120 PSI
Flow Rate (Knife)	1.15 GPM
Flow Rate (Shower)	1.15 GPM
Weight	2 lbs

Product Compliance

- ASME A112.18.1/CSA B125.1
- NSF-61
- NSF/ANSI 372



WARNING:

Plumbing connections should be made by qualified personnel who will observe all applicable plumbing, sanitary and safety codes.

California Prop 65 Warning:

This product can expose you to chemicals including lead and lead compounds, which are known to the State of California to cause cancer and birth defects or other reproductive harm. For more information go to www.P65Warnings.ca.gov.