

# Single Lever Goose Neck Drinking Water Dispenser



## Standard Features

- Sleek single-lever design for effortless control
- Elegant gooseneck spout - perfect for filling bottles and pitchers
- Available in 4 premium finishes to match Krowne Home Faucets
- Pre-installed 1/4" quick disconnect adapter for fast tool-free hookup
- Durable construction built for long-term daily use

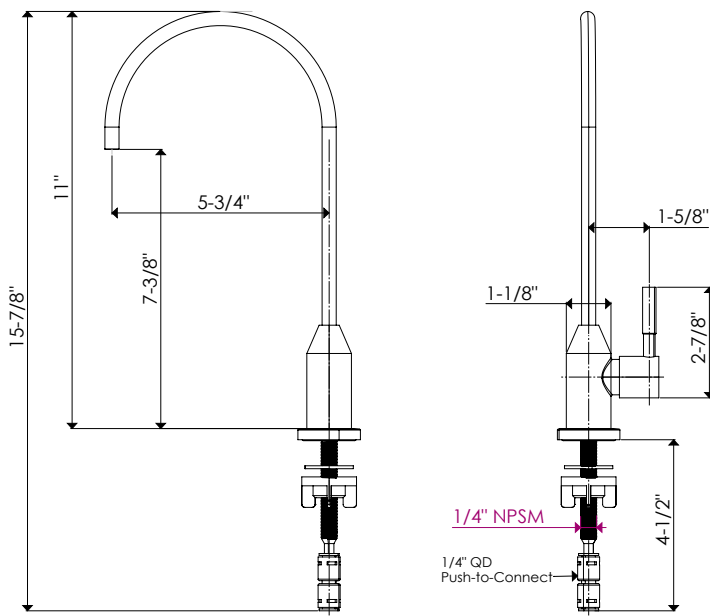
## Specifications

Rough In	▪ 7/16" Round Hole
Temp Range.	▪ 40°F - 200°F
Flow Rate	▪ 2.8 GPM @ 60 PSI
Inlet	▪ 1/4" NPS Male
Material	▪ 304 Stainless Steel
Weight	▪ 1 lbs

Model	Description
19-430B	Single Lever Goose Neck Drinking Water Dispenser, Matte Black Finish
19-430S	Single Lever Goose Neck Drinking Water Dispenser, Satin Finish
19-430C	Single Lever Goose Neck Drinking Water Dispenser, Chrome Finish
19-430G	Single Lever Goose Neck Drinking Water Dispenser, Brushed Gold Finish

## Product Compliance

- Certifications Pending



**Warning:**  
Plumbing connections should be made by qualified personnel who will observe all applicable plumbing, sanitary and safety codes

**California Prop 65 Warning:**  
This product can expose you to chemicals including lead and lead compounds, which are known to the State of California to cause cancer and birth defects or other reproductive harm. For more information go to [www.P65Warnings.ca.gov](http://www.P65Warnings.ca.gov).