

# model F-22

## CONSTRUCTION FEATURES

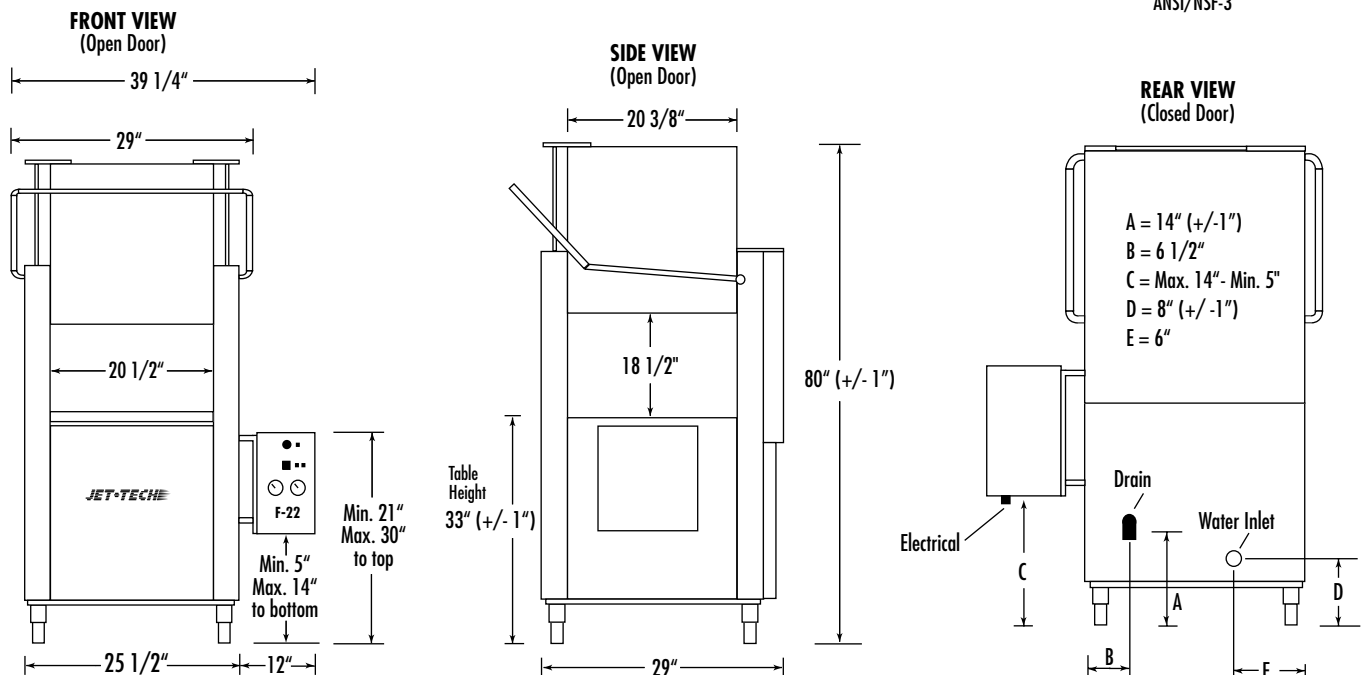
- Body, external housing, wash tank, and all chassis components in brushed stainless steel - type 304 16 ga.
- Wash tank with double steel wall thermally sealed and acoustically insulated for low heat and noise emissions
- Upper and lower wash and rinse jets on revolving arms constructed of fiberglass, easy to remove and clean without the need for tools
- Integrated AISI 18/8 stainless steel booster
- Adjustable bullet-style feet
- Safety two-way automatic micro-switch on the door controlling the operation of the wash motor-pump
- Independently-operated heating elements alternating between booster and wash tank
- Alternating heating resistors reduce maximum absorption thereby lowering energy costs
- Automatic fill and water level regulation of the wash tank
- Wash tank protected with double scrap filters easy to remove for quick cleaning and proper maintenance
- Additional scrap filter provided to protect wash motor pump
- Machine can be installed either as an in-line or corner application with simple field modification
- Height adjustable side mounted control panel
- Individual analog thermometer gauges displaying wash and rinse temperatures

## TECHNICAL FEATURES

- **Rack capacity:** 19.75" x 19.75" (500 mm. x 500 mm.) (One open combination rack and one peg dish rack supplied)
- **Complete operating cycle:** ~70 seconds
- **Wash tank capacity:** 4.75 U.S. gallons (18 liters)
- **Wash tank element:** 4000 Watts
- **Wash temperature:** 150°F. (65°C.)
- **Booster capacity:** 2.7 U.S. gallons (10.2 liters)
- **Booster element:** 9000 Watts
- **Booster (water) temperature:** 185°F. - 194°F. (85°C. - 90°C.)
- **Maximum power absorption:** 9,700 Watts
- **Wash motor-pump:** 1.25 HP with thermic drill to 320°F. (160°C.) and motor insulation
- **Power supply:** 208-240V / 60 Hz.
- **Amperage:** Single phase - 46.8A or Three phase - 33.8A (Please specify when ordering)
- **Water consumption:** 1.0 U.S. gallon per cycle (3.8 liters)
- **Flow pressure:** 20 (+/-5) p.s.i.
- **Water inlet connection:** 3/4" male garden hose fitting (hose not included)
- **Drain connection:** 1.5" ID hose connection (hose not included)
- **Shipping weight:** 406 lbs. (185 kg)



ANSI/NSF-3



**JET TECH SYSTEMS CORP.**

TEL: (514) 737-9701 FAX: (514) 342-3854 TOLL FREE: (888) ASK 4 JET jet-tech.com sales@jet-tech.com

In line with our continuing policy on research and product development, we reserve the right to alter specifications without notice.