



PDG 500NM

Natural Gas Gyro Machine



Bottom Motor, 10 Burners

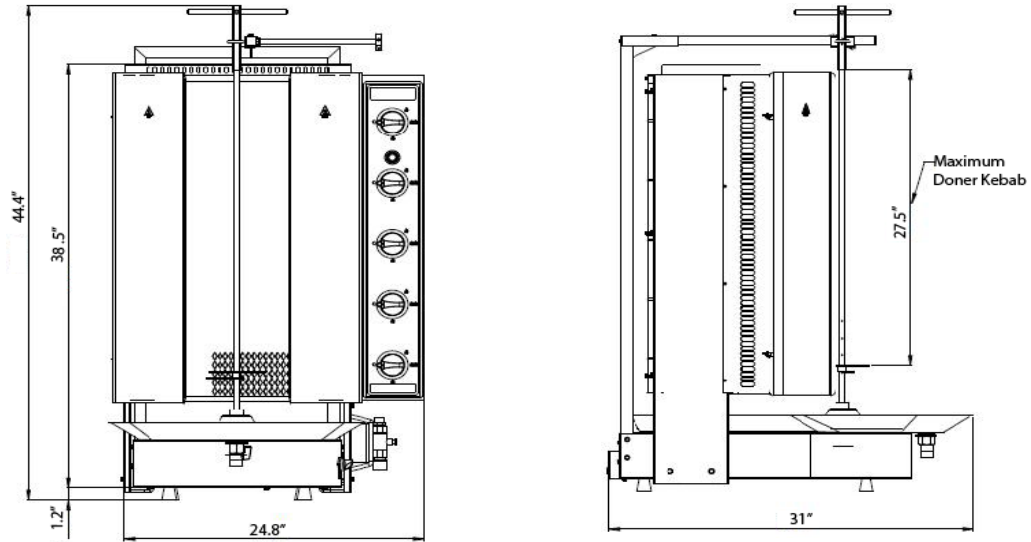
Atlantic Supermarket Equipment

849 Newark Turnpike, Suite 101, Kearny, NJ 07032

Tel: 201-467-8222 | Fax: 201-624-7444 | info@inoksanUSA.com | www.inoksanUSA.com

PDG 500NM

DRAWING



SPECIFICATIONS

Burners	10
Width	24.8"
Depth	31"
Height	44.4"
Power	78,000 BTU
Electrical	120V/1P/60Hz/1A
Meat Cap.	165-198 lb.
Skewer Length	33.2"
Skewer Length in Use	27.5"
Gas Inlet	½"
Net Weight	141 lb.

FEATURES

- ✓ The motor is very well insulated to avoid any water or grease contact.
- ✓ The back burner body can be moved back and forth to cook faster or slower.
- ✓ The skewer can be leaned towards or away from the burners to cook top or bottom of the cone faster.
- ✓ Provides easy cleaning, excellent look, healthy and uniform cooking experience.
- ✓ Unique design allows the motor to keep rotating during slicing without any stress on the motor.
- ✓ The drain valve allows for excess oils to be poured hassle-free.
- ✓ The motor can be rotated in either clockwise or counter-clockwise directions.
- ✓ Heat shields on both sides helps to preserve heat and save energy.
- ✓ The meat base on the skewer is adjustable to allow cooking small or large cones.