

Model Numbers

ISPA-18
 ISPA-18-2
 ISP-J-SP
 ISP-J-SP-2
 ISP-18-W
 ISP-J-W-16
 ISP-J-W-13



3-ring burner for high performance cooking.



3-ring burner has 2 adjustable gas valves to control inner and outer rings.



Anti-clogging jet burners produce a cone shaped intense flame.



Steel lever offers maximum control for jet burner.



ISPA-18
 Stock Pot Range



ISP-J-SP
 Hi-Temp Stock Pot Range



ISP-18-W
 Tempura Wok Range



ISP-J-W13
 Mandarin Wok Range

THREE RING BURNER - 90,000 BTU (26 KW) total output per burner.

- Heat selections from simmer to high heat
- Burner utilizes two adjustable gas valves for the inner and outer rings.

JET BURNER - Anti-clogging 18 tip jet burner, 125,000 BTU (37 KW).

- Intense cone shaped heat.
- Burner has a continuous pilot for instant ignition.
- "L" shaped gas control valve for maximum control.

WOK TOPS - Tempura and Mandarin wok styles are available.

- Wok top is all welded 12 gauge steel.
- Welded in 8" (203 mm) h cylinder concentrates and intensifies heat.
- Top removes for cleaning and has a roll front edge for easy loading.
- 13" and 16" (330 and 406 mm) wok top sizes available.
- Mandarin style has a gradual slope design to reduce spill-overs.

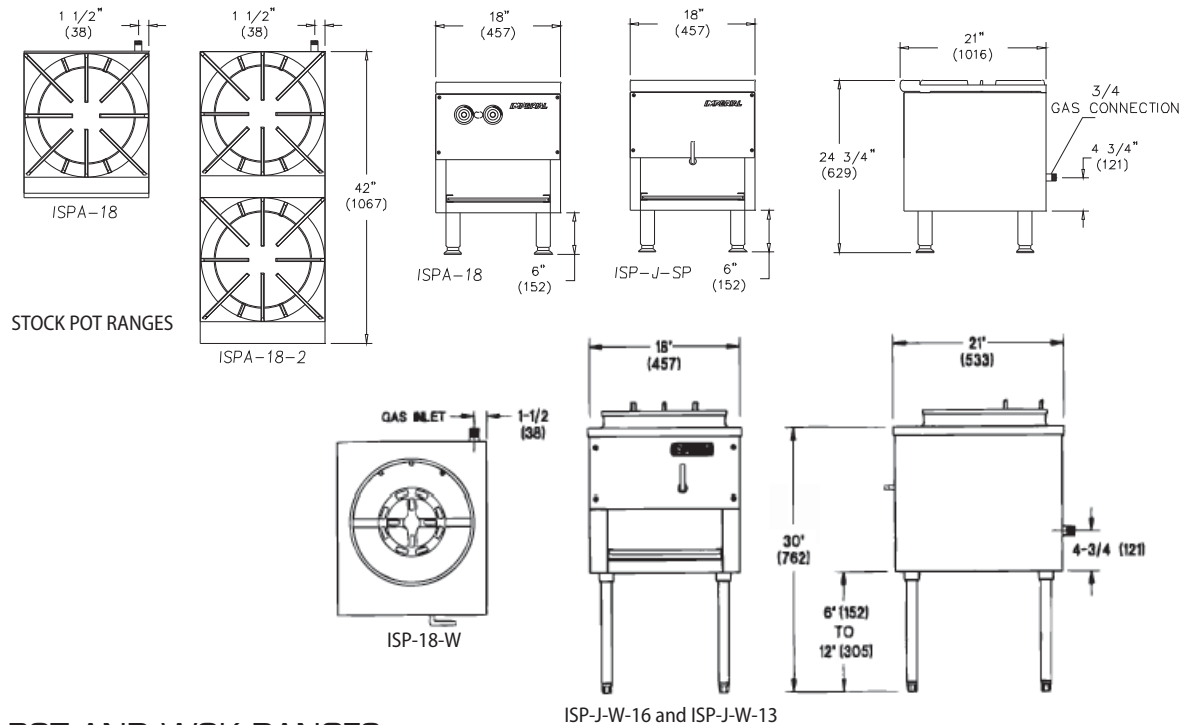
TOP GRATE - Reinforced cast iron construction.

- Built-in rolled front is easy to load.
- Grate removes for cleaning.

EXTERIOR FEATURES - Stainless steel front and sides with welded and finished seams.

- Stainless steel cabinet base for storage.
- Knobs are cast aluminum with Vylox heat protection grip.
- Full width drip pan.
- Heavy duty legs with adjustable feet.
- One year parts and labor warranty.





STOCK POT AND WOK RANGES

MODEL	NUMBER OF BURNERS AND DESCRIPTION	GAS OUTPUT BTU	(KW)	SHIP WEIGHT (KG)	LBS
STOCK POT RANGE					
ISPA-18	(1) 3-Ring Burner	90,000	(26)	(57)	125
ISPA-18-2	(2) 3-Ring Burners	180,000	(53)	(114)	250
HI-TEMP STOCK POT RANGE					
ISP-J-SP	(1) Anti-Clogging Jet Burner	125,000	(37)	(57)	125
ISP-J-SP-2	(2) Anti-Clogging Jet Burners	250,000	(73)	(114)	250
TEMPURA WOK RANGE					
ISP-18-W	(1) 3-Ring Burner	90,000	(26)	(57)	125
MANDARIN WOK RANGES					
ISP-J-W-16	(1) Anti-Clogging Jet Burner	125,000	(37)	(57)	125
ISP-J-W-13	(1) Anti-Clogging Jet Burner	125,000	(37)	(57)	125

Measurements in () are metric equivalents.

MODEL	DIMENSIONS	CRATED DIMENSIONS
ISPA-18	18" w x 21" d x 24-3/4" h (457 x 533 x 629 mm)	20-1/2" w x 25" d x 22" h (521 x 635 x 559 mm)
ISPA-18-2	18" w x 42" d x 24-3/4" h (457 x 1067 x 629 mm)	20-1/2" w x 46" d x 22" h (521 x 1168 x 559 mm)
ISP-J-SP	18" w x 21" d x 24-3/4" h (457 x 533 x 629 mm)	20-1/2" w x 25" d x 22" h (521 x 635 x 559 mm)
ISP-J-SP-2	18" w x 42" d x 24-3/4" h (457 x 1067 x 629 mm)	20-1/2" w x 46" d x 22" h (521 x 1168 x 559 mm)
ISP-18-W	18" w x 21" d x 30" h (457 x 533 x 762 mm)	20-1/2" w x 25" d x 22" h (521 x 635 x 559 mm)
ISP-J-W-16	18" w x 21" d x 30" h (457 x 533 x 762 mm)	20-1/2" w x 25" d x 22" h (521 x 635 x 559 mm)
ISP-J-W-13	18" w x 21" d x 30" h (457 x 533 x 762 mm)	20-1/2" w x 25" d x 22" h (521 x 635 x 559 mm)

MANIFOLD PRESSURE	MANIFOLD SIZE
NATURAL GAS	5.0" W.C.
PROPANE GAS	10.0" W.C.
	3/4"

Specify elevation, if over 2,000 ft.

OPTIONS AND ACCESSORIES

- WOK RANGES**
- Interchangeable top with ISPA-18 reinforced cast iron grate
 - 13" (330 mm) stainless steel wok top
 - 16" (406 mm) stainless steel wok top
 - Quick disconnect and flexible gas hose
 - 6" (152 mm) casters, set of 4, 2 with brakes
- STOCK POT RANGES**
- Extra Reinforced cast iron grate
 - Additional control for 3-ring burner
 - Extra 13" (330 mm) or 16" (406 mm) stainless steel wok top
 - Interchangeable top with ISP-18-W wok cylinder
 - Side-by-Side range orientation in lieu of front-to-back (available at an additional charge)
 - Quick disconnect and flexible gas hose
 - 6" (152 mm) casters, set of 4, 2 with brakes



CLEARANCE REQUIREMENTS

For use only on non-combustible floors with legs or casters. 0" clearance from non-combustible side and rear walls. Provide 6" (152 mm) minimum clearance from combustible side walls and 0" from combustible wall at rear.



1128 Sherborn Street Corona, CA 92879
800.343.7790 Ph: 951.281.1830 Fx: 951.281.1879
www.imperialrange.com
E-mail: imperialsales@imperialrange.com