



UNDER COUNTER REFRIGERATORS

Features

- CFC free refrigerant and foam insulation
- Electronic thermostat and digital LED temperature display for accurate control and easy reading
- Easy to mount 2.5" casters (lockable in front) are standard with all units
- Self-closing doors that remain open at 90 degrees
- Magnetic gasket can be replaced without any tools
- Adjustable, heavy-duty epoxy coated wire shelves (one per door)
- Stainless steel framework construction
- Auto defrosting and auto evaporation of condensation water
- Interior: side panel: ABS plastic, bottom: 304 stainless steel, balance in aluminum
- R-600A Natural refrigerant Models IUC28 IUC48 IUC61
- R-290 Natural refrigerant Model IUC72
- Temperature: 33 to 40°F / 0.5 to 4°C
- Electrical: 115/60/1 with NEMA 5-15P plug, 10ft cord



NEMA
5-15P



IUC28R



IUC48R



IUC61R



IUC72R

Options - Drawers**

IUC28R-2D | IUC48R-2D | IUC61R-2D | IUC48R-4D | IUC61R-4D

**Available by custom order only. Please contact our Sales Department for availability and lead time.

Specifications

DESIGNED TO OPERATE IN AMBIENT TEMPERATURES BETWEEN 40F-90F FOR OPTIMUM PERFORMANCE.



*



Certified to ANSI/NSF-7 Standards

Model	Doors	Ext. Dimensions W X D X H (In)	Int.. Dimensions W X D X H (In)	Amps	H.P	Ship Weight
IUC28R*	1	27.8 X 29.9 X 35.5	23.0 X 24.9 X 24.2	1.5	3/8	199 lbs
IUC48R*	2	48.2 X 29.9 X 35.5	43.5 X 24.9 X 24.2	3	3/8	280 lbs
IUC61R*	2	61.2 X 29.9 X 35.5	56.5 X 24.9 X 24.2	3	3/8	331 lbs
IUC72R	3	71.7 X 29.9 X 35.5	67.0 X 24.9 X 24.2	3.5	3/8	380 lbs



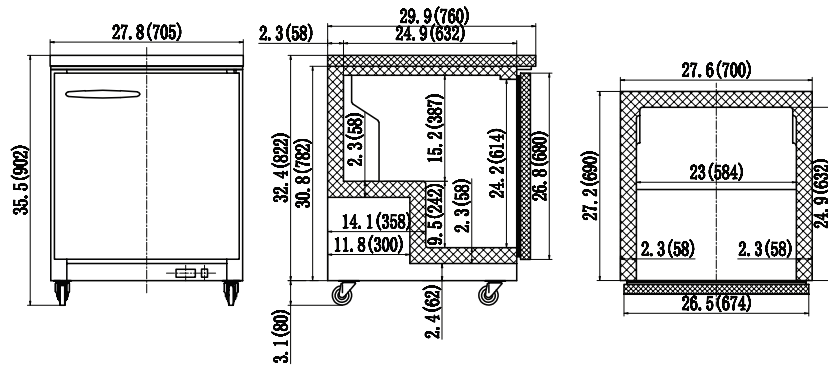
UNDER COUNTER REFRIGERATORS



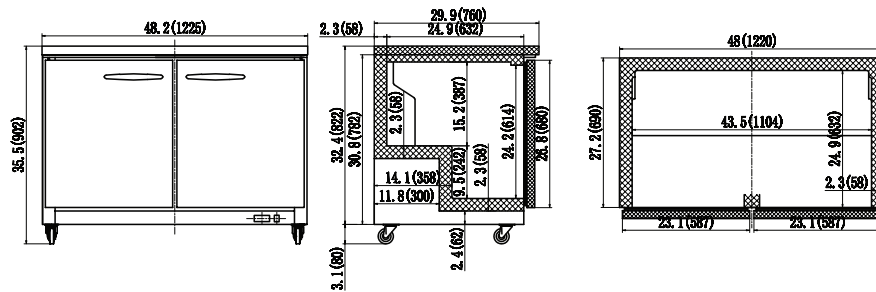
Certified to ANSI/NSF-7 Standards

Dimensions in inches (mm)

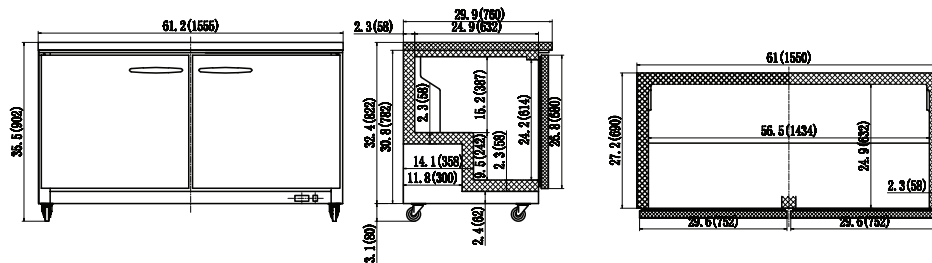
IUC28R*



IUC48R*



IUC61R*



IUC72R

