



# MDN-B1A/S1A

## SELF-CONTAINED MERCHANDISER



Dairy



Deli



Produce



Meats



Beverage



Prepared Foods



Bakery



### ADVANTAGES

The natural refrigerant case solution!

- Environmentally-friendly R-290 natural refrigerant
- Designed for NSF Type II ambient conditions (80°F / 55% RH)
- Clear end panels provide increased visibility of product
- End cap narrow footprint



### KEY FEATURES

- Self-service, multi-deck reach-in merchandiser
- 120V plug-n-play design for fast deployment
- Medium temperature application
- Black or stainless steel exterior and interior colors



800.592.2060



www.husmann.com

# MDN-B1A/S1A

## STANDARD CONFIGURATION

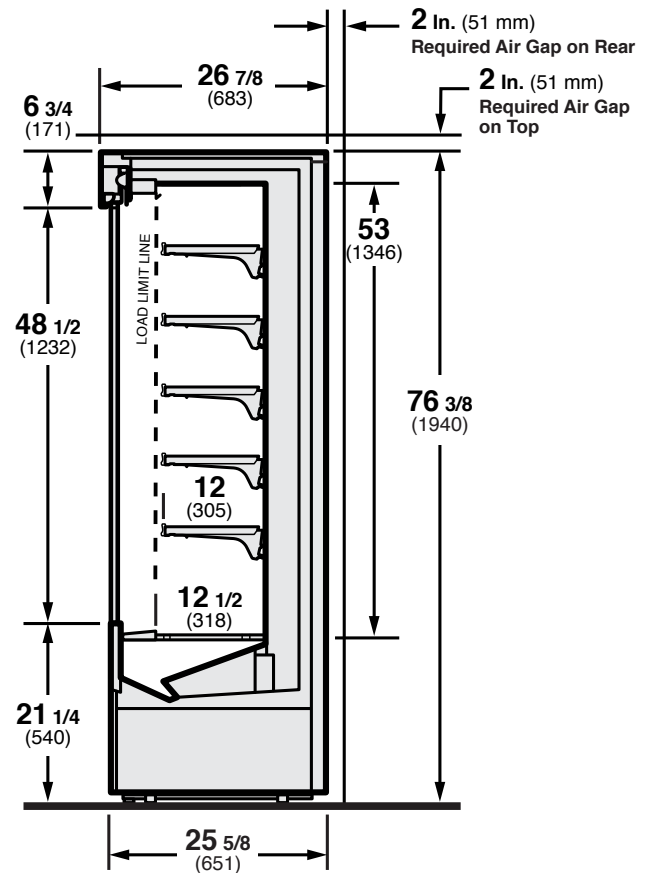
- Color Exterior: Black (BA Model)  
Stainless Steel (SA Model)
- Color Interior: Black (BA Model)  
Stainless Steel (SA Model)
- Exterior Sign Panel: No
- View End Panels: Matching silk screen
- Doors: Yes
- Bumper Color: Black
- Shelves: 5 of 12" Shelves
- LED Lighting: Canopy
- Adjustable Leveling Legs: Yes
- Refrigerant: R-290
- Power Cord: L6-20P
- Power Supply: 120V / 1ph / 60Hz
- NEMA Plug: L5-30P 30A/120V
- NSF Certification: Type II
- Air Discharge: Front and Rear
- Defrost: Offtime

## TECHNICAL INFORMATION



Scan the QR code with your mobile device to access technical data sheet on [hussmann.com](http://hussmann.com)

Available in 35" and 47" lengths.



We reserve the right to change or revise specifications and product design in connection with any feature of our products. Such changes do not entitle the buyer to corresponding changes, improvements, additions, or replacements for equipment previously sold or shipped. For additional resources, contact your representative or visit [www.hussmann.com](http://www.hussmann.com).

# HUSSMANN®

**Hussmann Corporation**  
12999 St. Charles Rock Rd.  
Bridgeton, MO 63044-2483  
Ph: 800.592.2060

[www.hussmann.com](http://www.hussmann.com)