



# SD SERIES

## MACHINE STANDS



SD Series  
12/28/20  
Item # 13025

Item #: \_\_\_\_\_  
 Project: \_\_\_\_\_  
 Qty: \_\_\_\_\_  
 AIA#: \_\_\_\_\_



**SD-200 Stand**  
Shown with a  
DM-200B



**SD-271 Stand**  
Shown with a  
DCM-271BAH-OS



**SD-500 Stand**  
Shown with a  
DCM-500BAH-OS



**SD-750 Stand**  
Shown with a  
DCM-751BAH-OS

### Features

- ▶ Heavy duty stands for floor model icemakers/dispensers
- ▶ Corrosion resistant stainless steel exterior
- ▶ Easy cleaning with attractive appearance

- Locking doors standard

#### Warranty:

5 Year Parts & Labor.  
Valid in United States, Canada, Puerto Rico and U.S. Territories. Contact factory for warranty in other countries.



Intertek

Model Number	Use with Cubelet Icemaker/Dispenser	Exterior Dimensions W* x D* x H (height including legs)	Shipping Dimensions L x W x H	Shipping Weight
SD-200	DM-200B	30" x 32" x 32 <sup>13/16"</sup>	32" x 20" x 31"	105 lbs.
SD-271	DCM-271BAH, DCM271BAH-OS	16 <sup>1/2"</sup> x 24" x 35 <sup>3/16"</sup>	26" x 18.75" x 34"	85 lbs.
SD-500	DCM-300BAH, DCM-300BAH-OS, DCM-500B_H, DCM-500B_H-OS	25 <sup>7/8"</sup> x 22" x 32 <sup>3/4"</sup>	27.75" x 24" x 31"	90 lbs.
SD-750	DCM-751B_H, DCM-751B_H-OS	34" x 28" x 32 <sup>3/4"</sup>	36" x 30" x 31"	110 lbs.

\*Width and depth measurements are for stands and do not include the flanged legs. Add approximately 1".

Hoshizaki reserves the right to change specifications without notice.



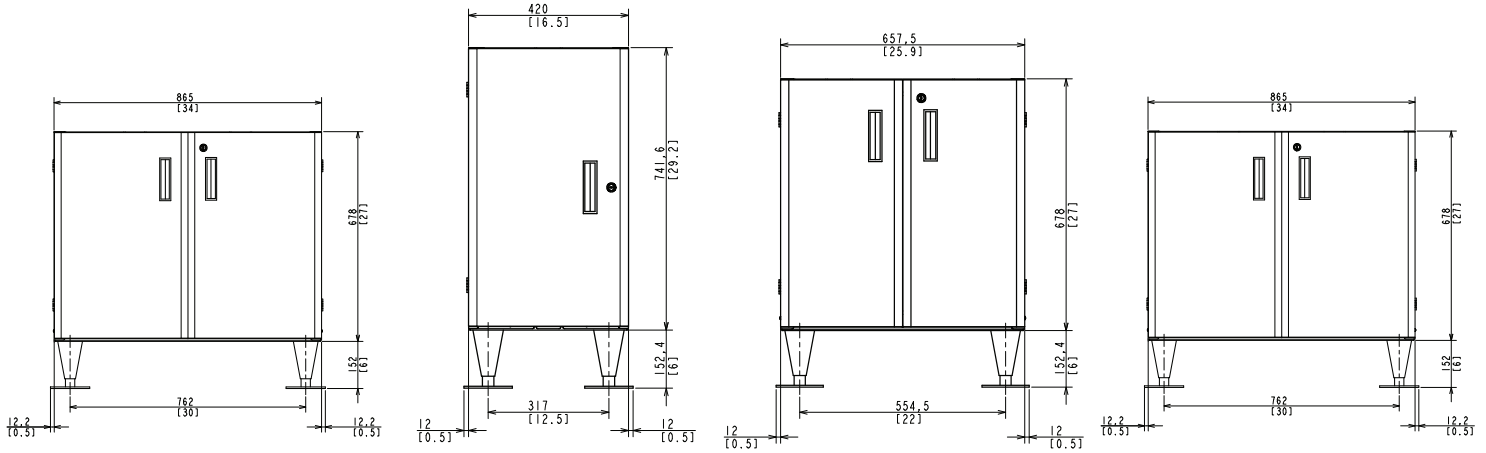
# SD SERIES

## MACHINE STANDS



SD Series  
12/28/20  
Item # 13025

FRONT VIEW



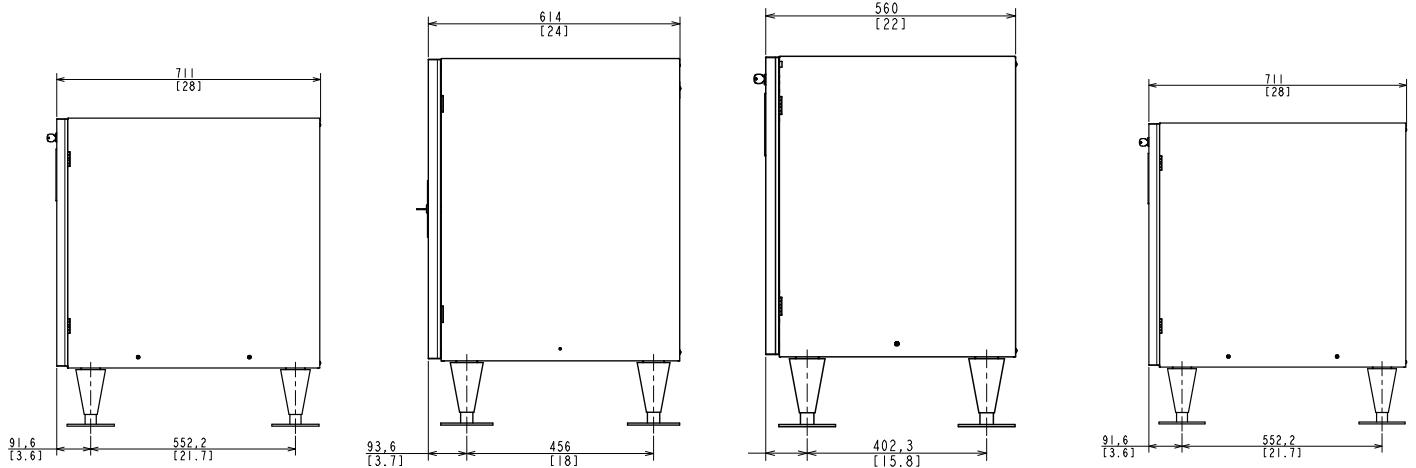
SD-200

SD-271

SD-500

SD-750

SIDE VIEW



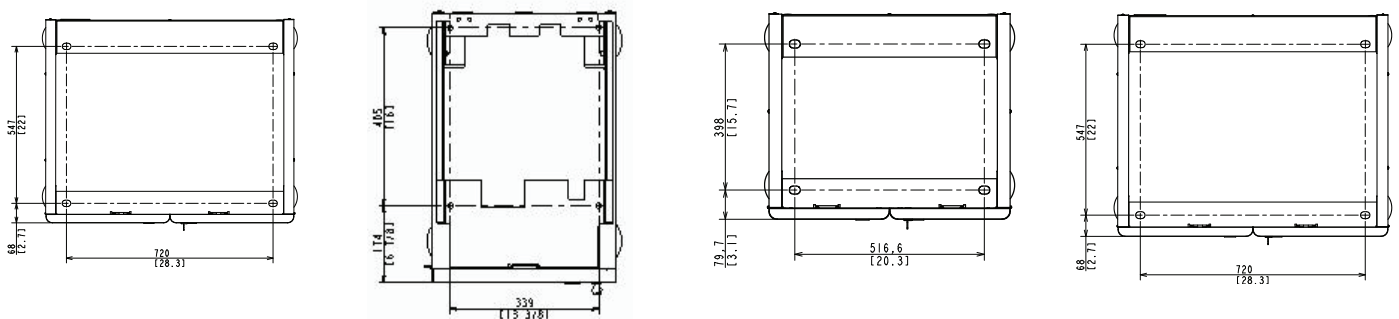
SD-200

SD-271

SD-500

SD-750

TOP VIEW



SD-200

SD-271

SD-500

SD-750

\*Width and depth measurements are for stands and do not include the flanged legs. Add approximately 1".